

Classis GM 105

Gooseneck Microphone

Order # 729.744



FEATURES

- Cardioid polar pattern with a high gain before feedback
- Filter to suppress wind or pop noise
- Non-glare surface
- Connection via 3-pin XLR male connector
- Rigid tube with two flexible goosenecks
- Length 500 mm [19.68"]

TECHNICAL SPECIFICATIONS

Transducer type	Condenser (electret)
Operating principle	Pressure gradient
Polar pattern	Cardioid
Frequency response	
Close miking	70 – 16,500 Hz
Distant miking (distance 1 m)	150 – 16,500 Hz
Open circuit voltage	14 mV/Pa = -37.1 dBV ±3 dB
Nominal impedance	250 Ω
Max. SPL	124 dB [SPL @ 1% THD]
Signal-to-noise ratio	64 dB [A, rms]
Equivalent SPL	30 dB [A, rms]
Power supply	Phantom power P12 – P48
Power consumption	2.3 mA
Microphone connection	3-pin XLR (male)
Head diameter with pop shield	approx. 25 mm [0.98"]
without pop shield	14 mm [0.55"]
Gooseneck diameter	top approx. 6 mm [0.24"] bottom approx. 8 mm [0.32"]
Total length	516 mm [20.31"]
Weight	140 g [4.93 oz]

DESCRIPTION

The Classis GM 105 gooseneck microphone is fitted with a 3-pin male connector and suitable for different applications.

The microphone features a cardioid polar pattern with a high gain before feedback. In order to suppress wind or pop noise, there is a switchable low-cut filter on the circuit board.

The microphone is mounted on a 6 mm thick gooseneck and due to its matt black, non-glare surface it discreetly blends into the environment.

The microphone can be powered with any phantom power source supplying 12 to 48 V.

The microphone is supplied with a foam wind shield.

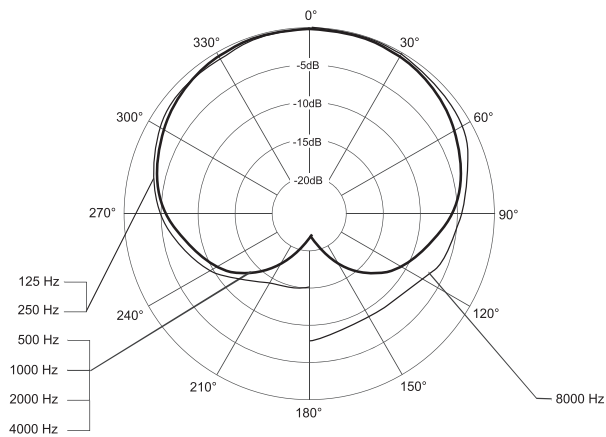
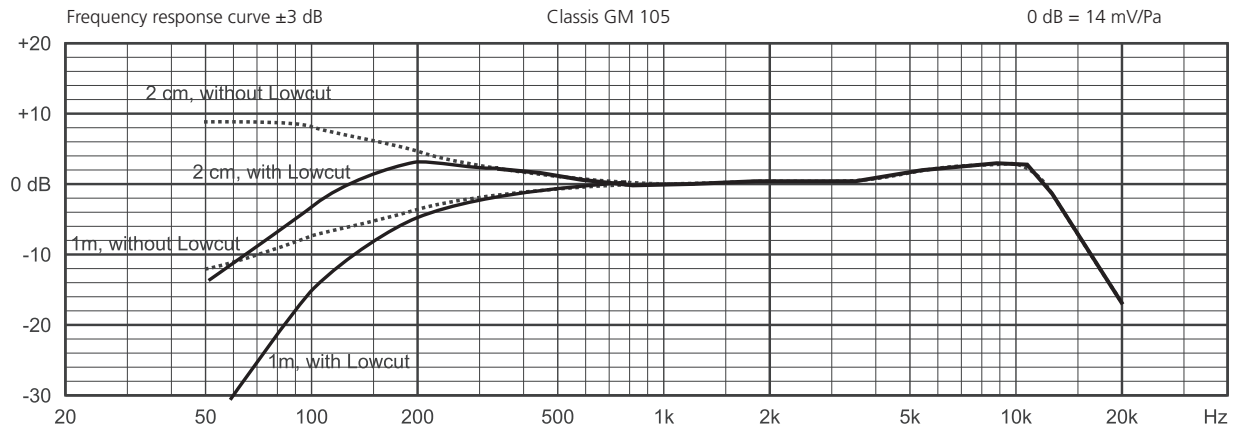
OPTIONAL ACCESSORIES

GMB 33 S	Microphone base with button, 3-pin female XLR connector.	Order # 725.242
GMS 32	Shock-mounted holder for table installations, 3-pin female XLR connector, black	Order # 729.582
GMS 32 w	same as above, but white	Order # 729.760
ZSH 20	Shock-mounted holder for installations	Order # 454.559
WS 305 B	Wind shield, black	Order # 728.985

Classis GM 105

FREQUENCY RESPONSE & POLAR PATTERN

This polar pattern and frequency response curve (measuring tolerance ± 3 dB) correspond to a typical production sample for this microphone.



WIRING DIAGRAM

