

PUBLIC ADDRESS / LOUDSPEAKERS / SURFACE

# SONORA-6TB

100 V LINE TRANSFORMER AND LOW IMPEDANCE SURFACE SPEAKER



IP66

- ✓ Crisp, distortion-free sound
- ✓ Excellent finish and elegant design
- ✓ IP-66 protection and salt fog
- ✓ Quick and easy installation

ESPECIALLY RECOMMENDED IN:



All sectors



+ Info:

<https://fonestar.com/SONORA-6TB>

## DESCRIPTION

Sound reinforcement loudspeaker with 100 V line transformer and low impedance.

Based on our extensive experience in the sound sector, FONESTAR has created SONORA.

SONORA is a series of speakers specially designed for PA, musical and background sound applications.

Its excellent finish and elegant design allow perfect integration in any space.

They are fully prepared for outdoor use as they feature aluminium grille and protection against water (IP-66) and marine environments.

Besides, SONORA delivers high sound quality with clear, distortion-free sound.

They include all the necessary accessories for easy and quick installation: weatherproofed adjustable fixing mount, stainless steel screws and steel safety cable.

For public address and ambient sound applications in public places such as restaurants, cafés, supermarkets, shopping centres, etc.

## TECHNICAL CHARACTERISTICS

FEATURES	Low impedance loudspeaker with 100 V line transformer. Suitable for outdoor use, waterproof and rustproof materials.
POWER	100 W max., 60 W RMS
SPEAKERS	1 x 6" polypropylene woofer 1 x 1" tweeter
RESPONSE	75-20,000 Hz
IMPEDANCE	60 W RMS@100 V (165 Ohm) 30 W RMS@100 V (330 Ohm) 15 W RMS@100 V (660 Ohm) 7.5 W RMS@100 V (1,320 Ohm) Low Z: 8 Ohm
SENSITIVITY	84 dB @ 1 W/1 m



+ Info:

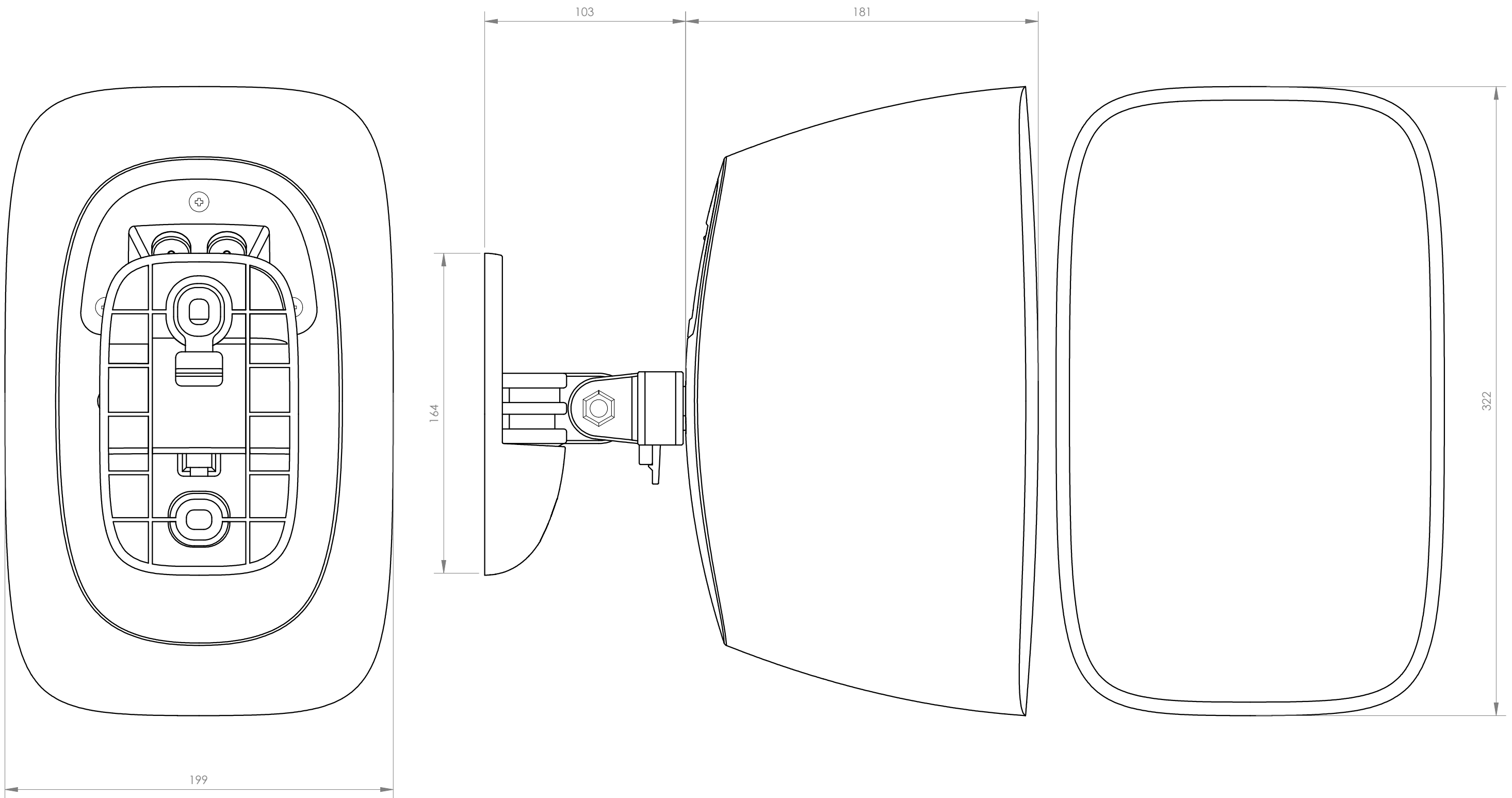
<https://fonestar.com/SONORA-6TB>

MAXIMUM SOUND PRESSURE	98 dB @ max. W/1 m
COVERAGE ANGLE	H/V: 150°/150° @500Hz, 150°/120°@1kHz, 100°/50°@2kHz, 175°/175°@4kHz (-6 dB)
PROTECTIONS	IP-66 in compliance with EN 60529 IEC 60068-2-11 Enviromental Test (Salt mist)
MATERIAL	ABS Aluminium grille Weather-resistant mount Stainless steel screws
SWITCH	W selector in high Z and low Z
CONNECTORS	Euroblock in and out for cable 0.25 - 2.5 mm <sup>2</sup> cross section
TEMPERATURE RANGE	-10°C ~ 60°C
COLOUR	White (RAL 9003)
DIMENSIONS	Loudspeaker: 199 x 322 x 181 mm depth Mount wall plate: 102 x 165 mm Loudspeaker with mount: 284 mm depth
WEIGHT	3 kg
ACCESSORIES	Adjustable mounting bracket ± 60° in all directions. Steel safety cable



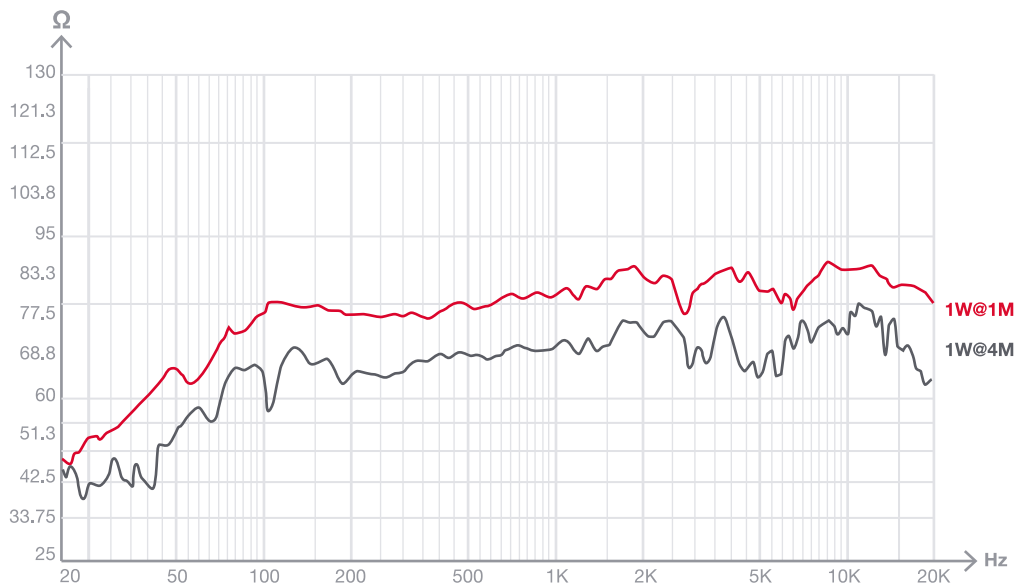
+ Info:

<https://fonestar.com/SONORA-6TB>



<b>FONESTAR</b>	Model	Description	Units	Scale
	SONORA-6TN+SONORA-6TB	LOW IMPEDANCE SURFACE SPEAKER 100 V LINE TRANSFORMER AND	mm	1:2

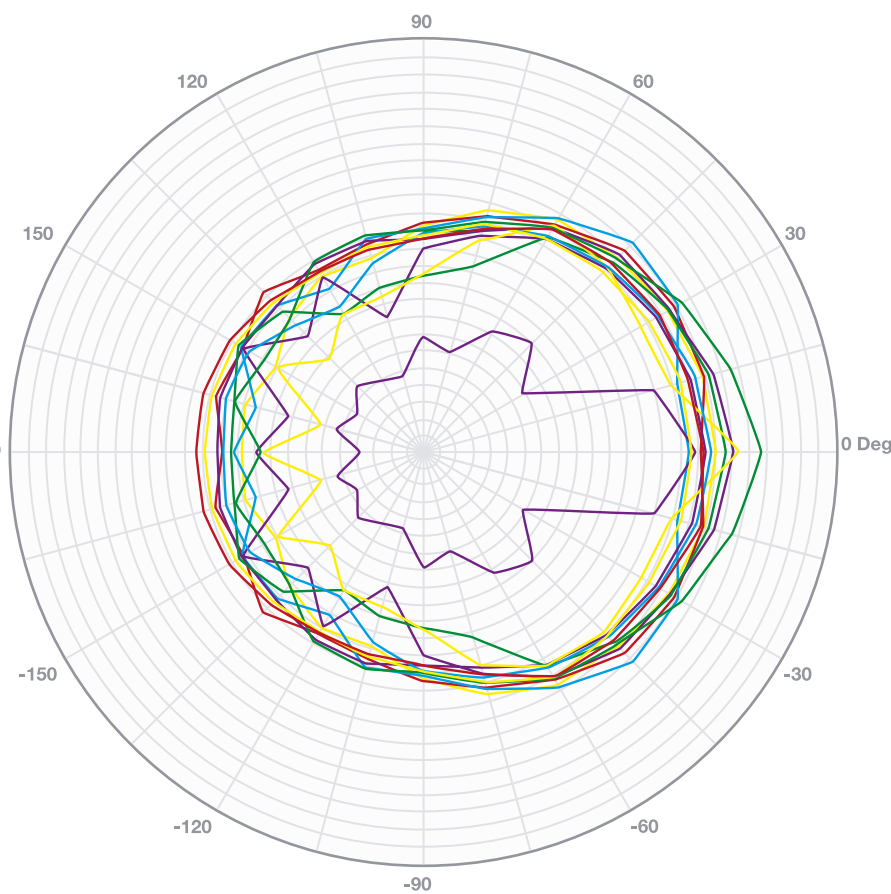
## SPL vs Frequency



## SPL vs Angle

dB SPL

100  
95  
90  
85  
80  
75  
70  
65  
60  
55  
50  
45  
40  
45  
50  
55  
60  
65  
70  
75  
80  
85  
90  
95  
100



Curve	Freq.	BW	Q	DI
—	441.94	150	2.4	3.8
—	625.00	150	2.4	3.8
—	883.88	120	3.0	4.8
—	1.25K	120	3.0	4.8
—	1.77K	90	4.0	6.0
—	2.50K	120	3.0	4.8
—	3.54K	120	3.0	4.8
—	5.00K	150	2.4	3.8
—	7.07K	90	4.0	6.0
—	10.00K	60	6.0	7.8
—	14.14K	1	360.0	25.6
—	20.00K	30	12.0	10.8
—	28.28K	30	12.0	10.8
—	40.00K	30	12.0	10.8

+info:



+ Info  
<https://fonestar.com/SONORA-6TB>