

SYSTEMS AND CONTROL / ZONE SYSTEMS / ANALOGUE

ZONEMIC-6

ZONE MICROPHONE WITH RECORDED MESSAGES FOR ZONE-6 SYSTEM



6 ZONES



CHIME



LIGHT INDICATORS



2 PRE-RECORDED MESSAGES



REMOTE MESSAGE PLAYBACK

- ✓ Crystal clear voice pick-up
- ✓ Remote playback of instant messages to 6 output zones
- ✓ Musical alert tones
- ✓ Recorder for 2 pre-recorded messages



+ Info:

<https://fonestar.com/ZONEMIC-6>

ESPECIALLY RECOMMENDED IN:



Factories



Education



Social and health centers



Hotels

DESCRIPTION

6-zone unidirectional electret condenser desktop microphone for ZONE-6 system. Allows the recording of 2 messages for direct use via buttons. It has musical warning tones that can be changed thanks to the device's internal microSD card. It also has a volume (gain) controller for the mic signal. PTL/PTT modes. Indicator lights for signal, power, clip limiter and busy status.

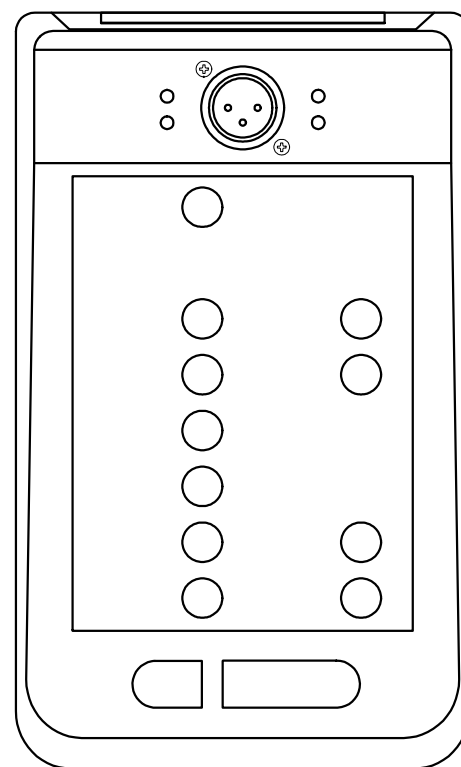
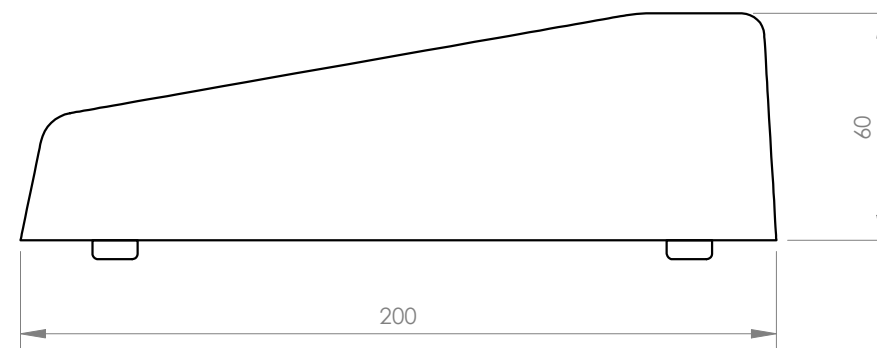
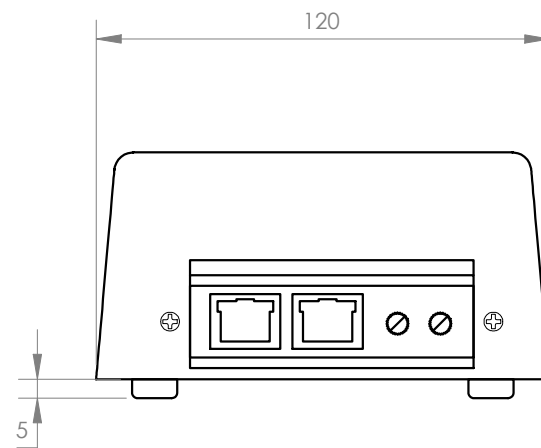
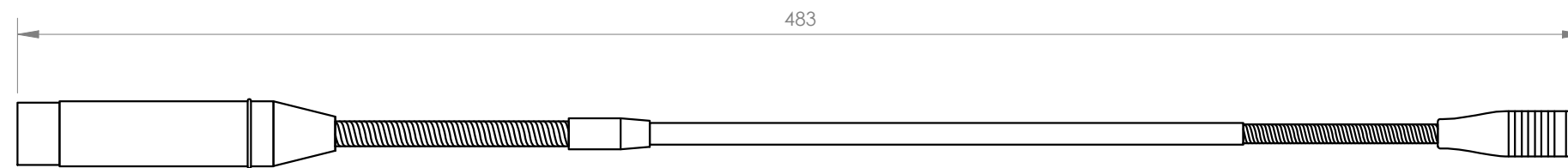
TECHNICAL CHARACTERISTICS

FEATURES	6-zone microphone for ZONE-6 system Remote playback of instant messages to 6 outbound zones 2 pre-recorded message recorder Musical warning tones (chime) Output gain control Indicator lights for signal, power, clip limiter and busy status.
CAPSULE	Unidirectional electret condenser
RESPONSE	80-15,000 Hz
SENSITIVITY	-46 dB (V/Pa) at 1 KHz
IMPEDANCE	680 Ohm
SPL MAX	> 110 dB
THD	< 0.05 %
SWITCH	PTT/PTL (configurable)
INPUTS	1 x balanced mic 1 x mic with zone selector, RJ45
OUTPUTS	1 x mic with zone selector, RJ45
CONNECTION	RJ45 cable, max. distance 200 m
POWER SUPPLY	15 V DC, 500 mA, via RJ45 port
DIMENSIONS	Gooseneck microphone: 430 mm high Base: 200 x 60 x 120 mm depth
WEIGHT	0.65 Kg
ACCESSORIES	Windproof foam Internal 4 GB microSD card



+ Info:

<https://fonestar.com/ZONEMIC-6>



FONESTAR	Model	Description	Units	Scale
	ZONEMIC-6	6-ZONE UNIDIRECTIONAL ELECTRET CONDENSER DESKTOP MICROPHONE FOR ZONE-6 SYSTEM	mm	1:2