

AIR SERIES

User Manual



Systems:

AIR-62

AIR-62-IP

AIR-S12

AIR-S12-IP

AIR-82

AIR-82-IP

AIR-S15

AIR-S15-IP

AIR-122

AIR-122-IP

AIR-S18

AIR-S18-IP

AIR-152

AIR-152-IP

AIR-210

AIR-210-IP

Contents

Contents.....	2
Panel A. Dimensions	4
1. Safety instructions	7
2. Regulatory information.....	8
3. AIR series.....	9
3.1. Introduction	9
3.2. AIR series speaker models.....	9
4. Specifications.....	10
5. System operation.....	12
5.1. Rigging	12
5.2. Flying AIR-210 via M10 mounting points.....	12
5.3. Eye-bolt orientation.....	12
5.4. Wall or ceiling mounting using mounting adapter.....	13
5.5. 3D mounting.....	13
5.6. Wall mounting of AIR-S12, AIR-S15 and AIR-S18	14
5.7. Ceiling mounting of AIR-S12, AIR-S15 and AIR-S18.....	14
5.8. Securing speakers using SCA safety cables	15
5.9. Passive speakers	16
5.9.1. Passive connections	16
6. Standard contents.....	17
7. Accessories	17
8. Warranty and assistance	18
8.1. Product warranty	18
8.2. Assistance	18

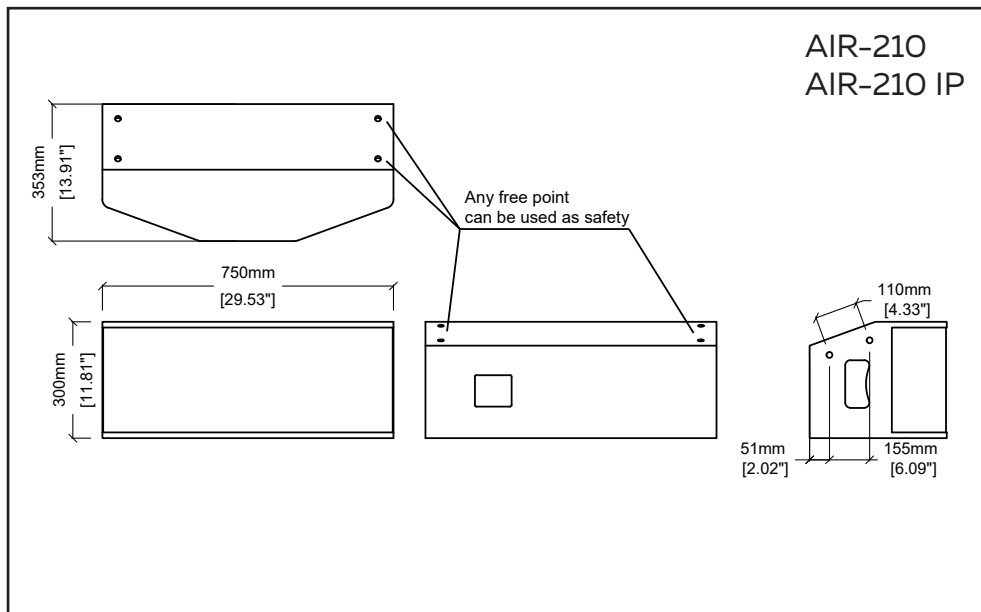
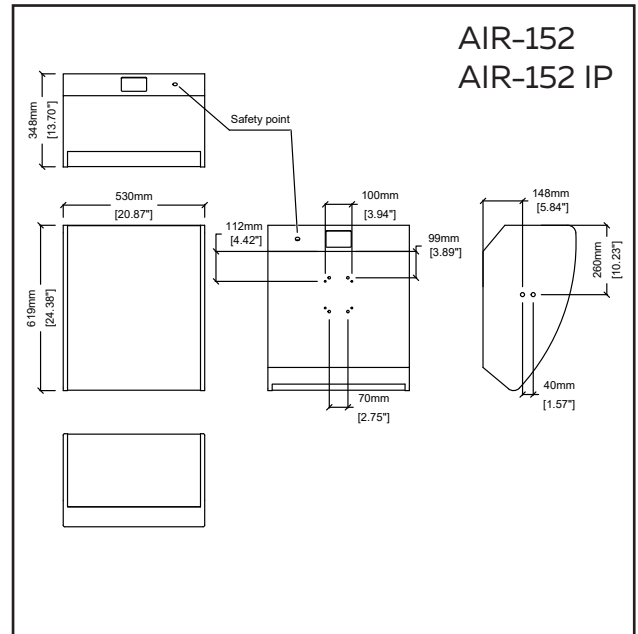
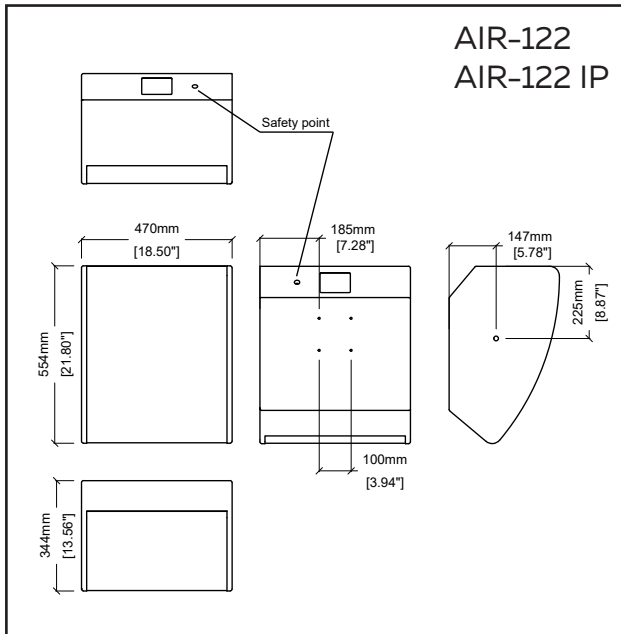
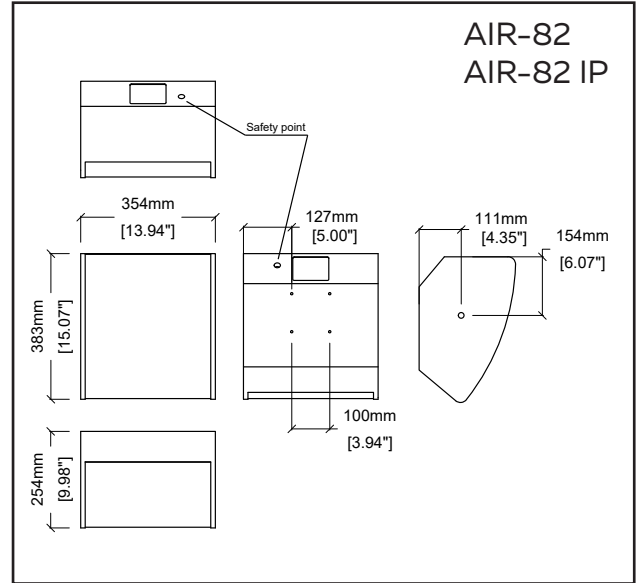
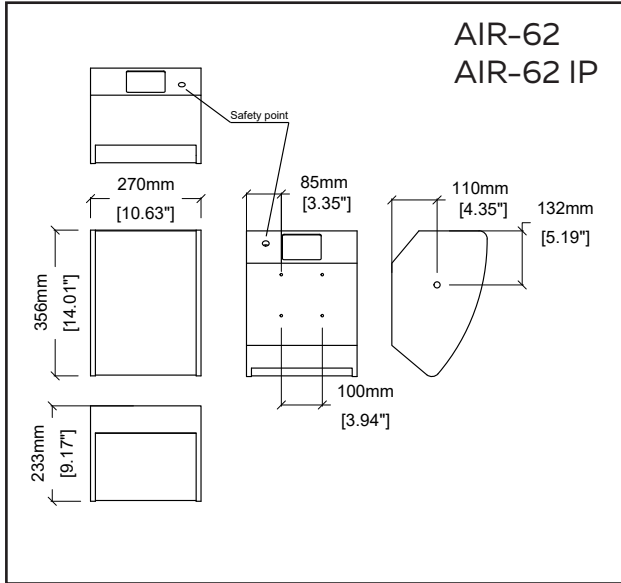


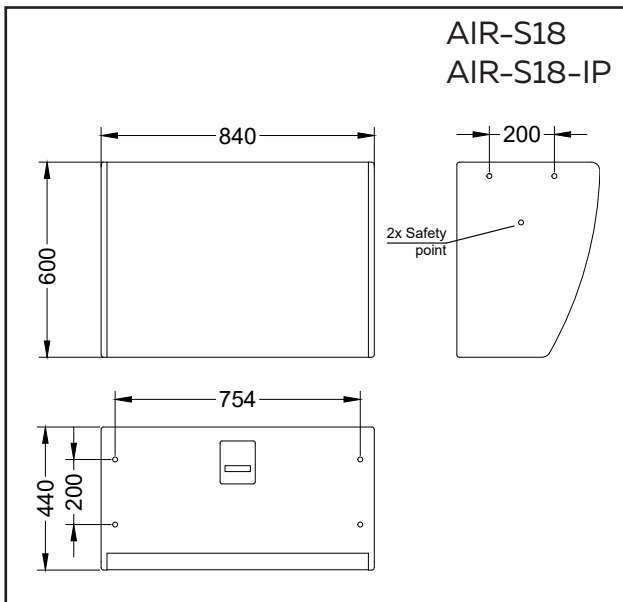
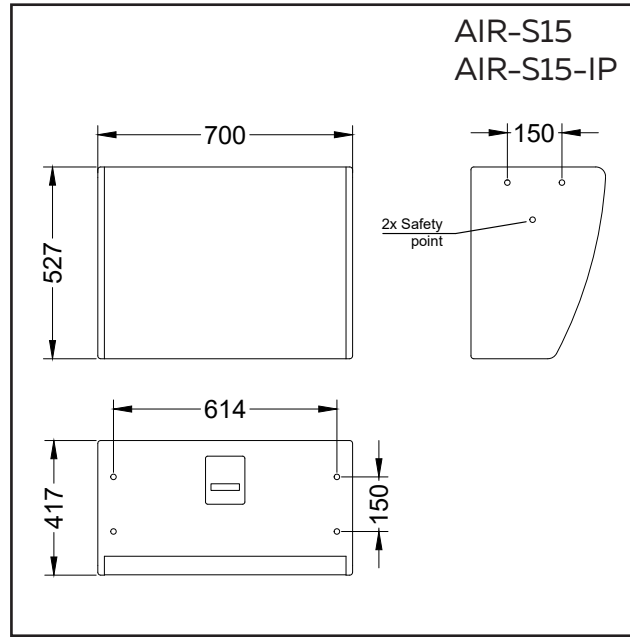
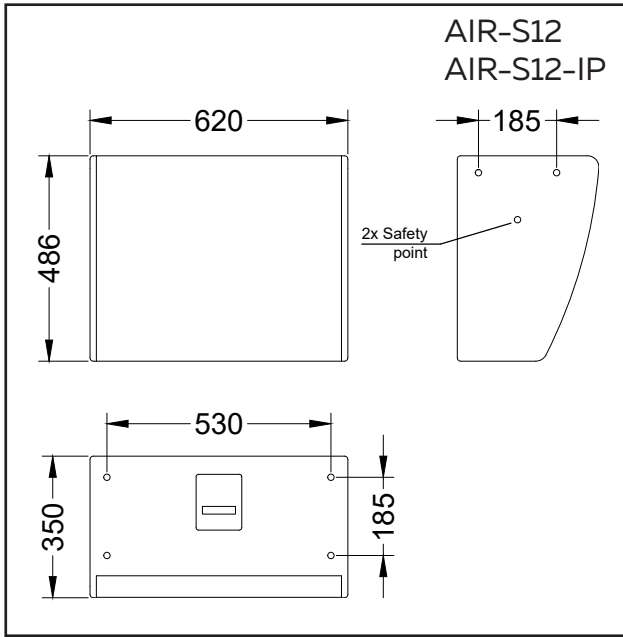
info@mag-audio.com
www.mag-audio.com

Tel./Fax: +38 044 277-47-89



Panel A. Dimensions







info@mag-audio.com
www.mag-audio.com

Tel./Fax: +38 044 277-47-89

1. Safety instructions



EXPLANATIONS OF GRAPHICAL SYMBOLS



The triangle with the lightning bolt is used to alert the user to the risk of electric shock.



The triangle with the exclamation point is used to alert the user to important operating or maintenance instructions.



The CE-mark indicates the compliance with the low voltage and electromagnetic compatibility.



Symbol for earth/ground connection.



Symbol indicating that the equipment is for indoor use only.



Symbol for conformity with Directive 2002/96/EC and Directive 2003/108/EC of the European Parliament on waste electrical and electronic equipment (WEEE).



WARNING: TO REDUCE THE RISK OF ELECTRIC SHOCK, DO NOT ATTEMPT TO OPEN ANY PART OF THE UNIT. NO USER-SERVICEABLE PARTS INSIDE. REFER SERVICING TO QUALIFIED SERVICE PERSONNEL.



TO COMPLETELY DISCONNECT THIS APPARATUS FROM THE AC MAINS, DISCONNECT THE POWER SUPPLY CORD PLUG FROM THE AC RECEPTACLE.



THE MAINS PLUG OF THE POWER SUPPLY CORD MUST REMAIN READILY ACCESSIBLE.



DO NOT EXPOSE THIS EQUIPMENT TO RAIN OR MOISTURE, DRIPPING OR SPLASHING LIQUIDS. OBJECTS FILLED WITH LIQUIDS, SUCH AS VASES, SHOULD NOT BE PLACED ON THIS APPARATUS.



CONNECTIONS TO THE MAINS SHALL BE DONE ONLY BY AN ELECTROTECHNICALLY SKILLED PERSON ACCORDING TO THE NATIONAL REQUIREMENTS OF THE COUNTRIES WHERE THE UNIT IS SOLD.

IMPORTANT SAFETY INSTRUCTIONS

1. Read these instructions carefully.
2. Keep these instructions.
3. Heed all warnings.
4. Follow all instructions.
5. Do not use this equipment near water.
6. Clean only with dry cloth.
7. Do not block any ventilation openings. Install in accordance with the manufacturer's instructions.
8. Do not use near heat sources such as stoves, heat registers, radiators or other equipment (including amplifiers) that produces heat.
9. Do not use the unit near open fire sources.
10. Connect the unit only to the electric network with grounding. Use only electric plugs that provide grounding.
11. Protect the power cord from being walked on, pinched, or otherwise damaged.
12. Use only accessories specified by the manufacturer.
13. Unplug this unit during lightning storms or when unused for long periods of time.
14. Refer all servicing to qualified service personnel. Servicing is required when the system has been damaged in any way, such as power supply cord or plug is damaged, liquid has been spilled or objects have fallen into the unit, the unit has been exposed to rain or moisture, does not operate normally, or has been dropped.
15. **WARNING: TO REDUCE THE RISK OF FIRE OR ELECTRIC SHOCK, DO NOT EXPOSE THIS SYSTEM UNIT TO RAIN OR MOISTURE.**

THIS UNIT CONTAINS POTENTIALLY LETHAL VOLTAGES. TO PREVENT ELECTRIC SHOCK OR HAZARD, DO NOT REMOVE THE AMPLIFIER MODULE. NO USER SERVICEABLE PARTS INSIDE. REFER SERVICING TO QUALIFIED SERVICE PERSONNEL.¹

INSTALLING OF THIS UNIT MUST BE PERFORMED ONLY BY QUALIFIED TRAINED PERSONNEL FOLLOWING APPLICABLE SAFETY RULES. DO NOT ALLOW INSTALLATION OF THIS UNIT IF INSTALLATION HARDWARE IS BROKEN, BENT, PARTS ARE MISSING OR IS OTHERWISE DAMAGED.

¹ - for powered speakers only

2. Regulatory information



FCC COMPLIANCE NOTICE

This device complies with part 15 of the FCC rules. Operation is subject to the following two conditions: (1) This device may not cause harmful interference, and (2) this device must accept any interference received, including interference that may cause undesired operation.

CAUTION: Changes or modifications not expressly approved by the party responsible for compliance could void the user's authority to operate the equipment.

NOTE: This equipment has been tested and found to comply with the limits for a Class B digital device, pursuant to part 15 of the FCC Rules. These limits are designed to provide reasonable protection against harmful interference in a residential installation. This equipment generates, uses, and can radiate radio frequency energy and, if not installed and used in accordance with the instruction manual, may cause harmful interference to radio communications. However, there is no guarantee that interference will not occur in a particular installation. If this equipment does cause harmful interference to radio or television reception, which can be determined by turning the equipment off and on, the user is encouraged to try to correct the interference by one or more of the following measures:

- Reorient or relocate the receiving antenna.
- Increase the separation between the equipment and receiver.
- Connect the equipment into an outlet on a circuit different from that to which the receiver is connected.
- Consult the dealer or an experienced radio/TV technician for help.

EC DECLARATION OF CONFORMITY

Manufacturer:
MAG Audio LLC
Merezhna 2
Bila Tserkva, Kyiv region
09100 Ukraine

We declare under our sole responsibility that product models:

AIR-62-8-BK	AIR-62-8-IP-WH	AIR-S12-8-BK
AIR-62-8-WH	AIR-62-16-IP-BK	AIR-S12-8-WH
AIR-62-16-BK	AIR-62-16-IP-WH	AIR-S15-4-BK
AIR-62-16-WH	AIR-82-4-IP-BK	AIR-S15-4-WH
AIR-82-4-BK	AIR-82-4-IP-WH	AIR-S15-8-BK
AIR-82-4-WH	AIR-82-8-IP-BK	AIR-S15-8-WH
AIR-82-8-BK	AIR-82-8-IP-WH	AIR-S18-4-BK
AIR-82-8-WH	AIR-82-16-IP-BK	AIR-S18-4-WH
AIR-82-16-BK	AIR-82-16-IP-WH	AIR-S18-8-BK
AIR-82-16-WH	AIR-122-4-IP-BK	AIR-S18-8-WH
AIR-122-4-BK	AIR-122-4-IP-WH	AIR-S12-4-IP-BK
AIR-122-4-WH	AIR-122-8-IP-BK	AIR-S12-4-IP-WH
AIR-122-8-BK	AIR-122-8-IP-WH	AIR-S12-8-IP-BK
AIR-122-8-WH	AIR-152-4-IP-BK	AIR-S12-8-IP-WH
AIR-152-4-BK	AIR-152-4-IP-WH	AIR-S15-4-IP-BK
AIR-152-4-WH	AIR-152-8-IP-BK	AIR-S15-4-IP-WH
AIR-152-8-BK	AIR-152-8-IP-WH	AIR-S15-8-IP-BK
AIR-152-8-WH	AIR-210-8-IP-BK	AIR-S15-8-IP-WH
AIR-210-4-BK	AIR-210-8-IP-WH	AIR-S18-4-IP-BK
AIR-210-4-WH	AIR-210-4-IP-BK	AIR-S18-4-IP-WH
AIR-210-8-BK	AIR-210-4-IP-WH	AIR-S18-8-IP-BK
AIR-210-8-WH	AIR-S12-4-BK	AIR-S18-8-IP-WH
AIR-62-8-IP-BK	AIR-S12-4-WH	

intended for use as:

professional speaker systems

are in conformity with the provisions of the following EC Directives, including all amendments, and with national legislation implementing these directives:

- 2006/95/EC Low Voltage Directive
- 2004/108/EC Electromagnetic Compatibility Directive
- 2002/95/CE RoHs Directive

The following harmonized standards are applied:

- EN 55103-1:2009 /A1:2012
- EN 55014-1:2006 /A1:2009 /A2:2011
- EN 55022:2010 /AC:2011
- EN 61000-3-2:2006 /A1:2009 /A2: 2009
- EN 61000-3-3:2013
- EN 61000-3-11:2000
- EN 61000-3-12:2011
- EN 55103-2:2009 /IS:2012
- EN 61000-4-2:2009
- EN 61000-4-3:2006 /A1:2008 /IS1:2009 /A2:2010
- EN 61000-4-4:2012
- EN 61000-4-5:2006
- EN 61000-4-6:2014
- EN 61000-4-11:2004
- EN 60065:2002 /A1:2006 /A11:2008 /A2:2010 /A12:2011

Bila Tserkva,
22 January 2019

Alexey Asanov
CEO

For compliance questions: info@mag-audio.com

3. AIR series

3.1. Introduction

AIR series has been created as the series of installation-dedicated speakers, backed-up with various mounting hardware options for ease and versatility of set-up. Available weatherproof capability makes AIR series even more adaptable, ready to be used in outdoor installations as well.

Benefiting from truly point-source design based on coaxial and full-range speakers, AIR series opens a new dimension for speaker placement to achieve best possible coverage while keeping sound system visual imprint to the lowest possible minimum.

Together with installation subwoofers, AIR cabinets are capable to deliver significant sound pressure required by modern clubs, bars, entertainment centers, malls, and open-air theme parks.

3.2. AIR series speaker models

AIR series includes following speaker models:

- AIR-62-8-BK part number 00-0004538
- AIR-62-8-WH part number 00-0021201
- AIR-62-16-BK part number 00-0005612
- AIR-62-16-WH part number 00-0021200
- AIR-82-4-BK part number 00-0006405
- AIR-82-4-WH part number 00-0021203
- AIR-82-8-BK part number 00-0004537
- AIR-82-8-WH part number 00-0021204
- AIR-82-16-BK part number 00-0005613
- AIR-82-16-WH part number 00-0021202
- AIR-122-4-BK part number 00-0017875
- AIR-122-4-WH part number 00-0021194
- AIR-122-8-BK part number 00-0017875
- AIR-122-8-WH part number 00-0021195
- AIR-152-4-BK part number 00-0017876
- AIR-152-4-WH part number 00-0021196
- AIR-152-8-BK part number 00-0004540
- AIR-152-8-WH part number 00-0021197
- AIR-210-4-BK part number 00-0005615
- AIR-210-4-WH part number 00-0021198
- AIR-210-8-BK part number 00-0004387
- AIR-210-8-WH part number 00-0021199
- AIR-62-8-IP-BK part number 00-0019989
- AIR-62-8-IP-WH part number 00-0021220
- AIR-62-16-IP-BK part number 00-0019990
- AIR-62-16-IP-WH part number 00-0021219
- AIR-82-4-IP-BK part number 00-0019987
- AIR-82-4-IP-WH part number 00-0021223
- AIR-82-8-IP-BK part number 00-0017488
- AIR-82-8-IP-WH part number 00-0021224
- AIR-82-16-IP-BK part number 00-0019988
- AIR-82-16-IP-WH part number 00-0021221
- AIR-122-4-IP-BK part number 00-0019986
- AIR-122-4-IP-WH part number 00-0021213
- AIR-122-8-IP-BK part number 00-0007159
- AIR-122-8-IP-WH part number 00-0021214
- AIR-152-4-IP-BK part number 00-0019991
- AIR-152-4-IP-WH part number 00-0021215
- AIR-152-8-IP-BK part number 00-0019992
- AIR-152-8-IP-WH part number 00-0021216
- AIR-210-4-IP-BK part number 00-0019994
- AIR-210-4-IP-WH part number 00-0021217
- AIR-210-8-IP-BK part number 00-0019993
- AIR-210-8-IP-WH part number 00-0021218
- AIR-S12-4-BK part number 00-0006521
- AIR-S12-4-WH part number 00-0021205
- AIR-S12-8-BK part number 00-0004550
- AIR-S12-8-WH part number 00-0021206
- AIR-S15-4-BK part number 00-0006522
- AIR-S15-4-WH part number 00-0021207
- AIR-S15-8-BK part number 00-0004535
- AIR-S15-8-WH part number 00-0021208
- AIR-S18-4-BK part number 00-0006523
- AIR-S18-4-WH part number 00-0021209
- AIR-S18-8-BK part number 00-0004536
- AIR-S18-8-WH part number 00-0021210
- AIR-S12-4-IP-BK part number 00-0019969
- AIR-S12-4-IP-WH part number 00-0021226
- AIR-S12-8-IP-BK part number 00-0019968
- AIR-S12-8-IP-WH part number 00-0021227
- AIR-S15-4-IP-BK part number 00-0019973
- AIR-S15-4-IP-WH part number 00-0021228
- AIR-S15-8-IP-BK part number 00-0019972
- AIR-S15-8-IP-WH part number 00-0021229
- AIR-S18-4-IP-BK part number 00-0019970
- AIR-S18-4-IP-WH part number 00-0021231
- AIR-S18-8-IP-BK part number 00-0019971
- AIR-S18-8-IP-WH part number 00-0021232



4. Specifications



System	AIR-62 AIR-62-IP	AIR-82 AIR-82-IP
Type	Installation speaker	Installation speaker
Frequency Response (-10dB)	90 - 18000 Hz	80 - 18000 Hz
Max SPL ¹	124 dB	127 dB
Sensitivity (1W/1m)	93 dB	94 dB
LF Driver	6", 1,75" VC	8" coaxial
HF Driver	1", 1" VC	
Nominal Coverage Angle (Horizontal × Vertical)	80° × 60°	90° × 90°
Impedance	8 Ohm (AIR-62-8 /-IP) 16 Ohm (AIR-62-16 /-IP)	4 Ohm (AIR-82-4 /-IP) 8 Ohm (AIR-82-8 /-IP) 16 Ohm (AIR-82-16 /-IP)
Nominal power ²	150 W	250 W
Connectors	Barrier strip (base version) Barrier strip / Gland nut cover plate (IP)	
Dimensions (W×H×D), mm	270x356x233 mm	354x383x254 mm
Net weight, kg	6 kg	9,5 kg
Shipping weight, kg	7 kg	10,5 kg
Mounting	VESA 75x75; 2x M10 Mounting points; M10 safety point	VESA 75x75; 2x M10 mounting points; M10 safety point
Weather-protection	IP 54 (AIR-62 IP)	IP 54 (AIR-82 IP)
Enclosure material	Plywood; wear-resistant paint	
Grill	Steel grill, acoustically transparent backing	

System	AIR-122 AIR-122-IP	AIR-152 AIR-152-IP	AIR-210 AIR-210-IP
Type	Installation speaker	Installation speaker	Installation speaker
Frequency Response (-10dB)	55 - 18000 Hz	50 - 18000 Hz	55 - 18000 Hz
Max SPL ¹	132 dB	134 dB	136,5 dB
Sensitivity (1W/1m)	96 dB	97 dB	98 dB
LF Driver	12" coaxial	15" coaxial	2x 10", 3" VC
HF Driver			2", 3" VC
Nominal Coverage Angle (Horizontal × Vertical)	80° × 80°	80° × 80°	85° × 55°
Impedance	4 Ohm (AIR-122-4 /-IP) 8 Ohm (AIR-122-8 /-IP)	4 Ohm (AIR-152-4 /-IP) 8 Ohm (AIR-152-8 /-IP)	4 Ohm (AIR-210-4 /-IP) 8 Ohm (AIR-210-8 /-IP)
Nominal power ²	500 W	600 W	850 W
Connectors	Barrier strip (base version) Barrier strip / Gland nut cover plate (IP)		
Dimensions (W×H×D), mm	470x554x344 mm	530x619x348 mm	750x300x353 mm
Net weight, kg	24 kg	25,5 kg	35 kg
Shipping weight, kg	27 kg	27,5 kg	37 kg
Mounting	VESA 100x100; 2x M10 Mounting points; M10 safety point	VESA 100x100; 4x M10 mounting points; M10 safety point	8x M10 mounting points
Weather-protection	IP 54 (AIR-122 IP)	IP 54 (AIR-152 IP)	IP 54 (AIR-210 IP)
Enclosure material	Plywood; wear-resistant paint		
Grill	Steel grill, acoustically transparent backing		

¹ - peak value, calculated according to AES 2 - 2012

² - based on transducer power measured according to AES 2 - 2012



System	AIR-S12 AIR-S12-IP	AIR-S15 AIR-S15-IP	AIR-S18 AIR-S18-IP
Type	Installation speaker	Installation speaker	Installation speaker
Frequency Response (-10dB)	45 - 300 Hz	37 - 300 Hz	33 - 300 Hz
Max SPL ¹	130,5 dB	136 dB	138 dB
Sensitivity (1W/1m)	95 dB	97 dB	98 dB
LF Driver	12", 3" VC	15", 4" VC	18", 4" VC
Impedance	4 Ohm (AIR-S12-4 /-IP) 8 Ohm (AIR-S12-8 /-IP)	4 Ohm (AIR-S15-4 /-IP) 8 Ohm (AIR-S15-8 /-IP)	4 Ohm (AIR-S18-4 /-IP) 8 Ohm (AIR-S18-8 /-IP)
Nominal power ²	450 W	1000 W	1300 W
Connectors	Barrier strip (base version) Barrier strip / Gland nut cover plate (IP)		
Dimensions (W×H×D), mm	620x486x350 mm	700x527x417 mm	840x600x440 mm
Net weight, kg	29 kg	36 kg	50 kg
Shipping weight, kg	33 kg	41 kg	55 kg
Mounting	8x M10 mounting points; 2x M10 safety points; VESA 200x200	8x M10 mounting point; 2x M10 safety points; VESA 200x200	8x M10 mounting point; 2x M10 safety points; VESA 200x200
Weather-protection	IP 54 (AIR-S12-IP)	IP 54 (AIR-S15-IP)	IP 54 (AIR-S18-IP)
Enclosure material	Plywood; wear-resistant paint		
Grill	Steel grill, acoustically transparent backing		

¹ - peak value, calculated according to AES 2 - 2012

² - based on transducer power measured according to AES 2 - 2012

5. System operation

5.1. Rigging

AIR series systems are equipped with M10 mounting point adapters for versatile applications.

Rigging must be performed only by trained personnel following the established safety rules.

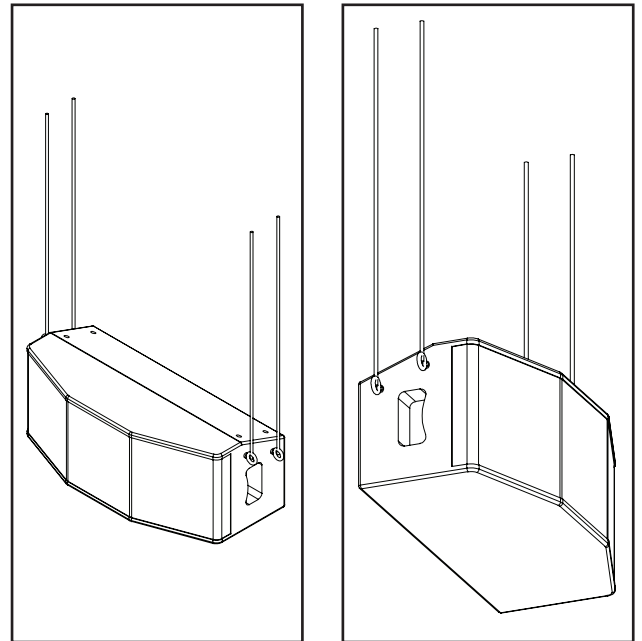
MAXIMUM WEIGHT RESTRICTIONS MUST BE FOLLOWED AT ALL TIMES!

MAKE SURE THE SUPPORT STRUCTURE IS CAPABLE OF HOLDING THE APPLIED WEIGHT WHILE SUSPENDING THE SYSTEM!

5.2. Flying AIR-210 via M10 mounting points

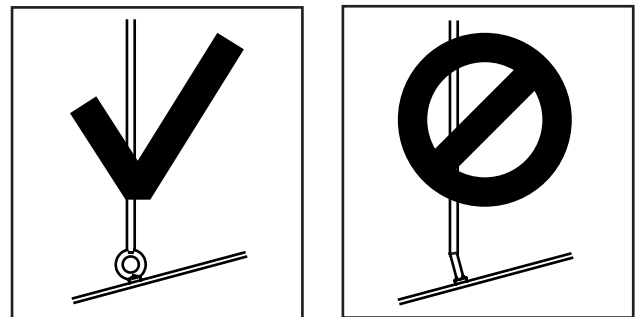
Accessories:
VA-0016

AIR-210 is equipped with 8x M10 mounting points for mounting applications.



5.3. Eye-bolt orientation

While flying, applied force must be in the plane of the VA-0016 eyebolt's ring. It is prohibited to arrange the rig in the way that force is at the angle from the eyebolt's ring plane.



Right

Wrong

5.4. Wall or ceiling mounting using mounting adapter

Accessories:

LAIR-62 - for AIR-62

LAIR-82 - for AIR-82

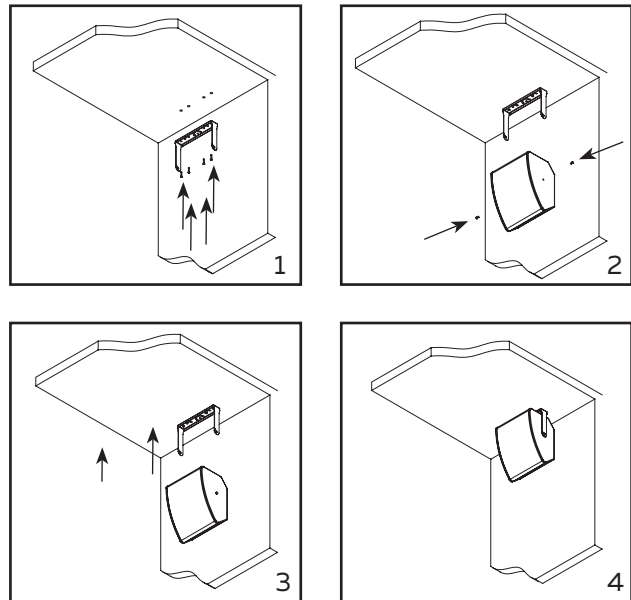
LAIR-122 - for AIR-122

LAIR-152 - for AIR-152

1. Attach the LAIR bracket, compatible with your speaker, to wall or ceiling using mounting holes provided.

2-3. Release the two M10 mounting bolts on sides of the speaker, and place the speaker into receptacles of the LAIR mounting bracket.

4. Choose tilt angle, and tighten two M10 mounting bolts.



5.5. 3D mounting

Accessories:

LAIR-62 - for AIR-62

LAIR-82 - for AIR-82

LAIR-122 - for AIR-122

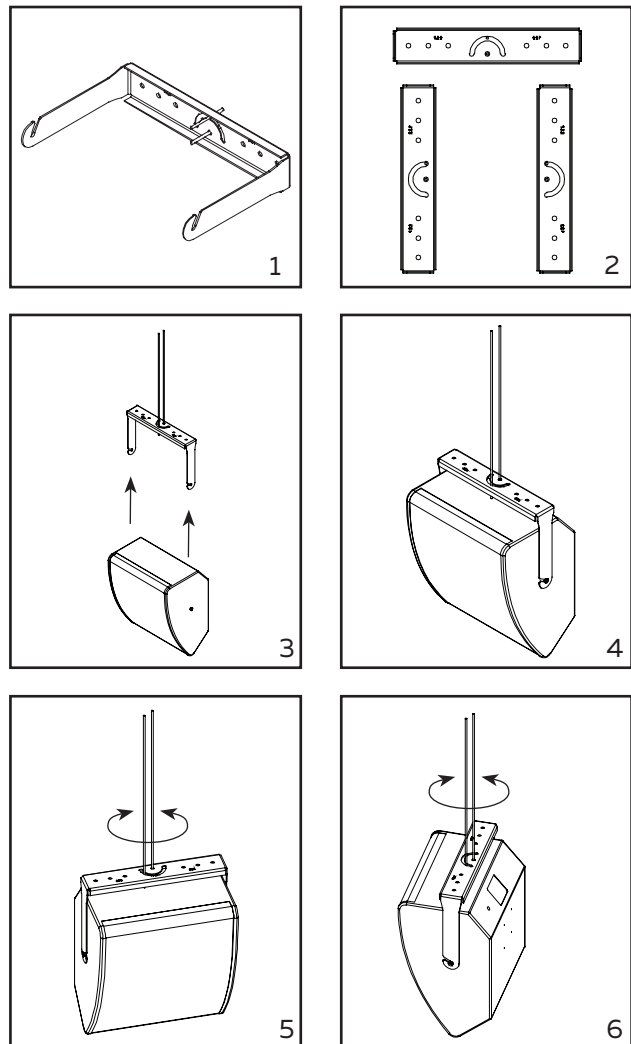
LAIR-152 - for AIR-152

AIR series speakers can be placed with pan and tilt capability using the rotation pattern of the LAIR bracket.

1-2. Mount the bracket onto the threaded pole or other support structure using rotation pattern. Rotation pattern allows to position LAIR bracket at any of 360 degrees angle.

3-4. Release the two M10 mounting bolts on sides of the speaker, and place the speaker into receptacles of the LAIR mounting bracket.

5-6. Choose tilt angle, and tighten two M10 mounting bolts. Choose pan angle, and tighten the bolts or nuts attached to support structure.

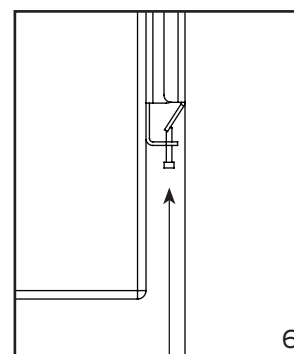
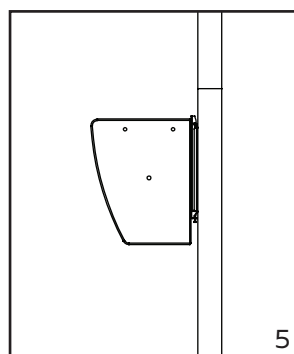
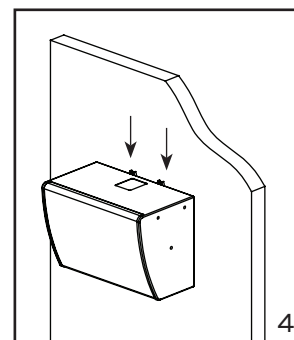
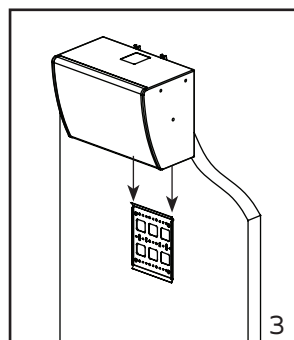
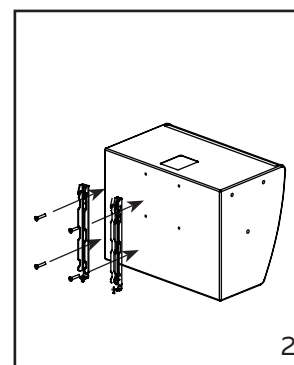
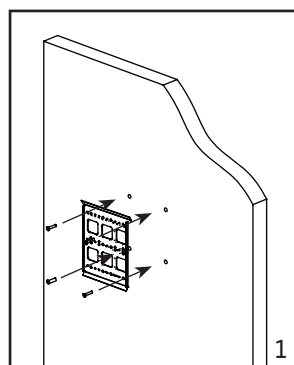




5.6. Wall mounting of AIR-S12, AIR-S15 and AIR-S18

Accessories:
LLS

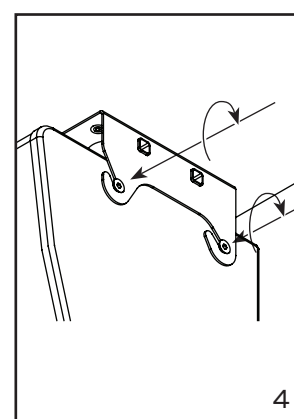
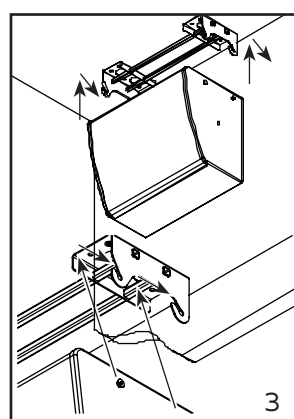
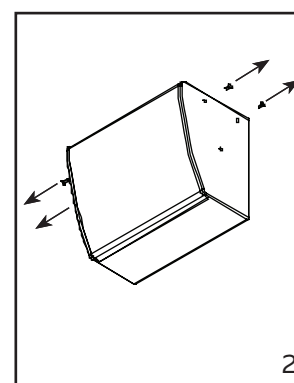
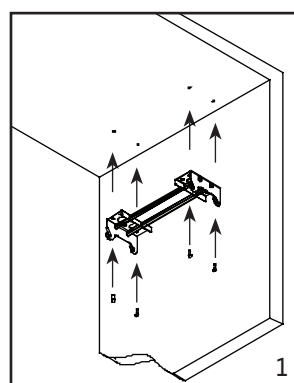
1. Attach the mounting plate of the LLS mounting bracket to the wall using fixing holes provided.
2. Attach two mounting planks of the LLS mounting bracket to VESA 200x200 mounting holes of the cabinet using M6 bolts.
- 3-4. Hang the cabinet with attached mounting planks onto the mounting plate.
- 5-6. Use a hex key to secure the mounting bracket by tightening two M6 on the bottom of the LLS.



5.7. Ceiling mounting of AIR-S12, AIR-S15 and AIR-S18

Accessories:
CL-S12 for AIR-S12
CL-S15 for AIR-S15
CL-S18 for AIR-S18

1. Attach the CL ceiling adapter to the ceiling with provided mounting holes.
2. Release four M10 bolts on sides of cabinet to make space for the adapter's fittings.
3. Insert the cabinet into the adapter fittings.
4. Tightly secure four M10 bolts.



5.8. Securing speakers using SCA safety cables

Accessories:

SCA-10

SCA-15

SCA-20

SCA-25

SCA-30

SCA-35

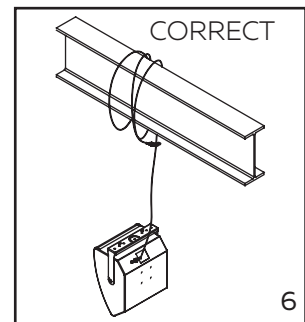
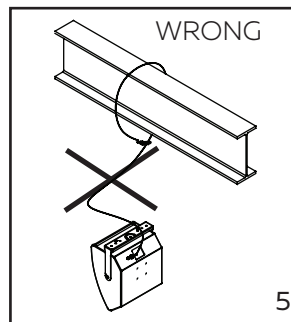
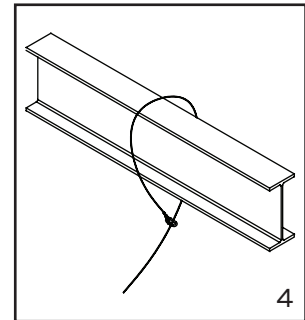
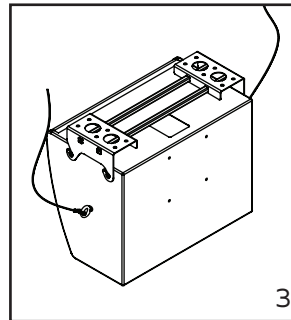
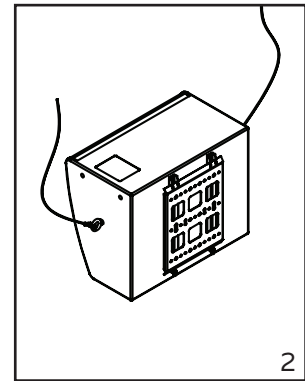
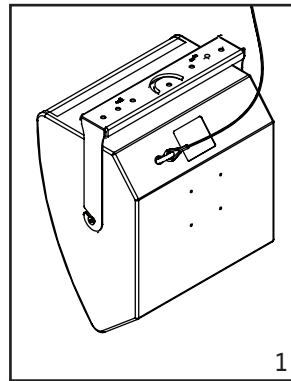
1-2-3. Use M10 safety point (or points) as indicated on Panel A. Dimensions. to attach a SCA safety cable (or cables).

4. Loop the other end of a SCA safety cable around the support and lock onto itself with quick link.

5. Do not allow for excessive safety cable length. Choose cable length with least margin from mounting distance.

6. If necessary, wrap the safety cable several times around the support before locking on itself to remove excessive length.

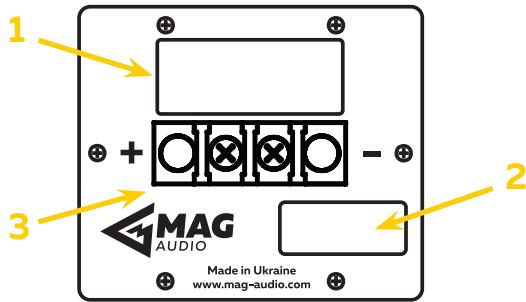
ATTENTION! CONNECT SPEAKER SAFETY CABLE DIRECTLY TO THE SUPPORT STRUCTURE INDEPENDENTLY OF ITS MOUNTING BRACKET. CONNECTING SPEAKER SAFETY CABLE TO ITS MOUNTING BRACKET, OR CONNECTING JUST THE BRACKET TO THE SUPPORT STRUCTURE DOES NOT PROVIDE ENOUGH SAFETY!





5.9. Passive speakers

AIR series speaker's connection plate



1. LABEL FIELD: Name of the system, along with its basic parameters is noted here.

2. SERIAL NUMBER FIELD: Sticker with the systems serial number is located here. NEVER REMOVE THE SERIAL NUMBER STICKER FROM THE SYSTEM, AS IT IS AN IMMEDIATE WARRANTY VOID.

3. INPUTS TERMINAL: The pair of screw terminals. Use this connectors to connect power amplifier and to feed the signal to the parallel system (optional).

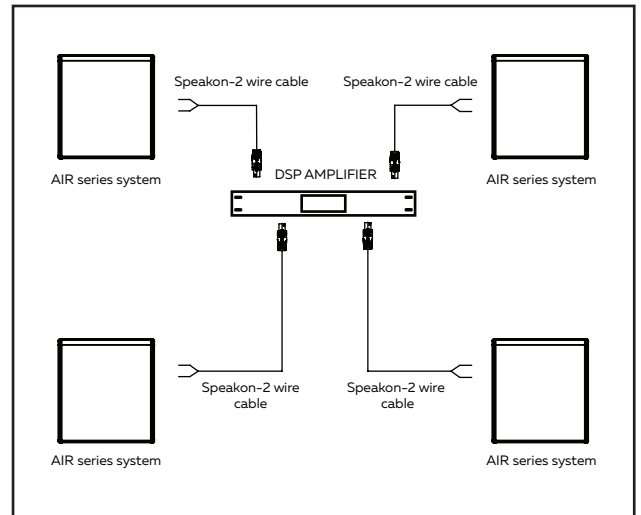
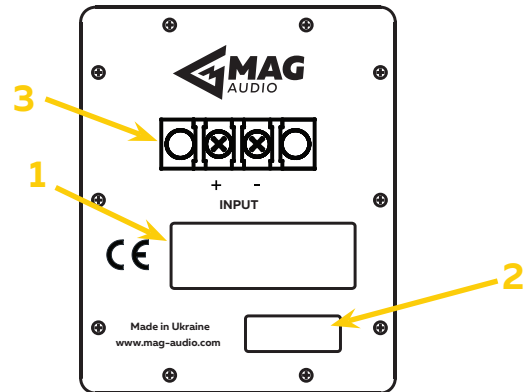
5.9.1. Passive connections

Use power amplifier with DSP or power amplifiers with external speaker processor with AIR series systems.

MAKE SURE TO USE HIGH PASS FILTER FOR ALL AIR SERIES SYSTEMS TO PREVENT EXCESSIVE CONE MOVEMENT, RESULTING IN TRANSDUCER DAMAGE OR FAST DETERIORATION.

Recommended HPF settings, suggested power amplifier ratings, and connection pins:

AIR-S12, AIR-S15, AIR-S18 connection plate



AIR series passive connection diagram

System	Amplifier power	Amplifier impedance	Connection pins	Recommended HPF
AIR-62-8	150 - 300 W	8 Ohm	+ -	80 Hz or higher, 18 dB/oct min
AIR-62-16	150 - 300 W	16 Ohm	+ -	80 Hz or higher, 18 dB/oct min
AIR-82-4	250 - 500 W	4 Ohm	+ -	60 Hz or higher, 18 dB/oct min
AIR-82-8	250 - 500 W	8 Ohm	+ -	60 Hz or higher, 18 dB/oct min
AIR-82-16	250 - 500 W	16 Ohm	+ -	60 Hz or higher, 18 dB/oct min
AIR-122-4	500 - 1000 W	4 Ohm	+ -	50 Hz or higher, 18 dB/oct min
AIR-122-8	500 - 1000 W	8 Ohm	+ -	50 Hz or higher, 18 dB/oct min
AIR-152-4	600 - 1200 W	4 Ohm	+ -	45 Hz or higher, 18 dB/oct min
AIR-152-8	600 - 1200 W	8 Ohm	+ -	45 Hz or higher, 18 dB/oct min
AIR-210-4	850 - 1700 W	4 Ohm	+ -	45 Hz or higher, 18 dB/oct min
AIR-210-8	850 - 1700 W	8 Ohm	+ -	45 Hz or higher, 18 dB/oct min
AIR-S12-4	450 - 900 W	4 Ohm	+ -	40 Hz or higher, 18 dB/oct min
AIR-S12-8	450 - 900 W	8 Ohm	+ -	40 Hz or higher, 18 dB/oct min
AIR-S15-4	1000 - 2000 W	4 Ohm	+ -	35 Hz or higher, 18 dB/oct min
AIR-S15-8	1000 - 2000 W	8 Ohm	+ -	35 Hz or higher, 18 dB/oct min
AIR-S15-4	1300 - 2600 W	4 Ohm	+ -	30 Hz or higher, 18 dB/oct min
AIR-S15-8	1300 - 2600 W	8 Ohm	+ -	30 Hz or higher, 18 dB/oct min

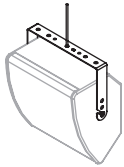
6. Standard contents

Check the complement of your AIR series system upon receiving the package.
Standard contents of AIR series systems:

- AIR series passive speaker system - 1 pcs;
- AIR series User Manual - 1 pcs;
- Polyethylene bag - 1 pcs;
- Carton box - 1 pcs.

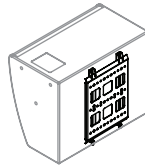
7. Accessories

Various accessories are available for AIR series systems:



Mounting bracket for installation systems

- LAIR-62-BK** - for AIR-62, black, part No. 00-0004819
- LAIR-62-WH** - for AIR-62, white, part No. 00-0021240
- LAIR-62-IP-BK** - for AIR-62-IP, black, part No. 00-0021355
- LAIR-62-IP-WH** - for AIR-62-IP, white, part No. 00-0021356
- LAIR-82-BK** - for AIR-82, black, part No. 00-0004821
- LAIR-82-WH** - for AIR-82, white, part No. 00-0021236
- LAIR-82-IP-BK** - for AIR-82-IP, black, part No. 00-0021357
- LAIR-82-IP-WH** - for AIR-82-IP, white, part No. 00-0021358
- LAIR-122-BK** - for AIR-122, black, part No. 00-0004822
- LAIR-122-WH** - for AIR-122, white, part No. 00-0021242
- LAIR-122-IP-BK** - for AIR-122-IP, black, part No. 00-0021359
- LAIR-122-IP-WH** - for AIR-122-IP, white, part No. 00-0021360
- LAIR-152-BK** - for AIR-152, black, part No. 00-0004823
- LAIR-152-WH** - for AIR-152, white, part No. 00-0021241
- LAIR-152-IP-BK** - for AIR-152-IP, black, part No. 00-0021361
- LAIR-152-IP-WH** - for AIR-152-IP, white, part No. 00-0021362



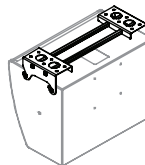
Wall mounting adapter for installation subwoofers

- LLS-BK** - black, for AIR-S12, AIR-S15, AIR-S18, part No. 00-00002647
- LLS-WH** - white, for AIR-S12, AIR-S15, AIR-S18, part No. 00-0021247
- LLS-IP-BK** - black, for AIR-S12-IP, AIR-S15-IP, AIR-S18-IP, part No. 00-0021369
- LLS-IP-WH** - white, AIR-S12-IP, AIR-S15-IP, AIR-S18-IP, part No. 00-0021370



Safety cable M10 eyebolt - quick link

- SCA-10** - length 1,0 m, part No. 00-00005873
- SCA-15** - length 1,5 m, part No. 00-0007884
- SCA-20** - length 2,0 m, part No. 00-0006447
- SCA-25** - length 2,5 m, part No. 00-0007885
- SCA-30** - length 3,0 m, part No. 00-0007887
- SCA-35** - length 3,5 m, part No. 00-0007886



Ceiling adapter for installation subwoofers

- CL-S12-BK** - for AIR-S12, black, part No. 00-0018092
- CL-S12-WH** - for AIR-S12, white, part No. 00-0021245
- CL-S12-IP-BK** - for AIR-S12-IP, black, part No. 00-0021371
- CL-S12-IP-WH** - for AIR-S12-IP, white, part No. 00-0021372
- CL-S15-BK** - for AIR-S15, black, part No. 00-0004815
- CL-S15-WH** - for AIR-S15, white, part No. 00-0021244
- CL-S15-IP-BK** - for AIR-S15-IP, black, part No. 00-0021373
- CL-S15-IP-WH** - for AIR-S15-IP, white, part No. 00-0021374
- CL-S18-BK** - for AIR-S18, black, part No. 00-0004816
- CL-S18-WH** - for AIR-S18, white, part No. 00-0021243
- CL-S18-IP-BK** - for AIR-S18-IP, black, part No. 00-0021375
- CL-S18-IP-WH** - for AIR-S18-IP, white, part No. 00-0021376



8. Warranty and assistance



8.1. Product warranty

1. By this warranty MAG Audio grants that all equipment manufactured under the MAG Audio trademark is free from defects in material, components and factory workmanship under the normal use and maintenance for the time as specified below.

2. All warranty repairs and maintenance of MAG Audio products shall be carried out at MAG Audio production sites or by MAG Audio authorized personnel.

3. Warranty period for cone transducers, high frequency drivers and crossovers, whether sold separately or as a component of a speaker system, is 60 months from the production date.

4. Warranty period for enclosures, grills, connection plates and accessories, whether sold separately or as a component of a speaker system, is 60 months from the production date.

5. Warranty period for built-in power amplifiers, whether sold separately or as a component of a speaker system, is 36 months from the production date.

6. Warranty repairs or maintenance will be performed only if a) MAG Audio product was purchased from an official MAG Audio distributor / dealer and b) warranty card with specified serial number, production date, realization date, vendor's signature and stamp is presented.

7. Warranty shall not cover following: damage caused by accident, misuse or failure to follow exploitation rules stated in technical manual; repairs performed by non-authorized personnel; mechanical damage caused by shipping accidents and normal tear and wear.

8. Warranty shall not be applicable to any product with defaced, removed, or modified serial number.

9. If your MAG Audio product needs repairs or maintenance, contact your official MAG Audio distributor / dealer. Please do not ship your MAG Audio product without prior authorization.

8.2. Assistance

There are no user-serviceable parts in your device. Refer servicing to qualified technical personnel. In addition to in-house service department, MAG Audio supports the chain of distributors, authorized in repairs and service. If your device needs repair contact your MAG Audio dealer or distributor.

Occasionally, due to the nature of the failure, it might be necessary to return defective products to MAG Audio for repair. In this case, before shipping, please kindly contact your MAG Audio distributor or dealer, or MAG Audio directly. You will be provided the RMA number code and detailed instructions regarding your particular case. Please do not send products without a prior authorization.

Thank you for your understanding, cooperation and choice of MAG Audio products.



info@mag-audio.com
www.mag-audio.com

Tel./Fax: +38 044 277-47-89

2 Merezhna St., Bila Tserkva,
Kyiv region, 09100, Ukraine
Tel./Fax: +38 044 2774789
e-mail: info@mag-audio.com
www.mag-audio.com