

Sting 6Q Passive point-source speaker



Truly a milestone in MAG Audio's lines of compact versatile speakers, the STING series combines performance, ease of system integration, and user-friendliness, making it a highly flexible powerful system for portable and installation purposes.

Sting 6Q is a subcompact speaker for near-field portable or installed use with the prominent 6" coaxial driver at its heart. With advanced distortion reduction technologies inside, Sting 6Q offers unparalleled music clarity and speech intelligibility along with superb bottom-end capacity comes as a surprise from a speaker of its size.

Sting 6Q can be put directly on a standard 5/8" thread microphone stand or mounted onto the wall using the VESA 100 x 100 pattern installation dedicated on its back. For connection, both portable-friendly Speakon and installation-dedicated installation-dedicated Phoenix connectors are provided. With 4, 8, and 16 Ohm versions available, Sting 6Q is perfect for small stereo speaker sets and large distributed installed systems alike.



SPECIFICATIONS

Frequency Response (-10dB)	82 - 20000 Hz
Max SPL ¹	124,8 dB
Sensitivity (1W/1m)	91 dB
Coaxial driver	6", 1,75" VC
Nominal coverage angle	100° x 100°
Impedance	16 Ohm (Sting 6Q-16) 8 Ohm (Sting 6Q-8) 4 Ohm (Sting 6Q-4)
Nominal power ²	150 W
Connectors	2 x Neutrik Speakon, Phoenix
Dimensions (W×H×D)	200 x 210 x 200 mm 7,87" x 8,27" x 7,87"
Weight net / shipping	4,4 kg / 5,4 kg 9,7 lbs / 12 lbs
Mounting	5/8" microphone stand adapter, VESA 100 x 100
Enclosure material	Composite, wear-resistant paint
Speaker protection	Steel grill, acoustically transparent backing

¹ - pink noise, filtered according to AES 2 - 2012, crest factor 12 dB
² - based on transducer power measured according to AES 2 - 2012

CONNECTIONS

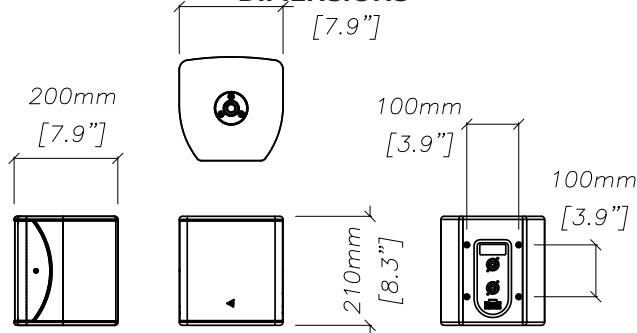
Always use high-pass filter (HPF) to prevent speaker damage and distorted sound by eliminating low non-audible frequencies in input signal.

Do not exceed input power ratings mentioned in specifications while exploiting the speaker system.

Speaker system comes with Neutrik® Speakon and Phoenix terminals for easy connection.

Signal +	1 + (Speakon), + terminal (Phoenix)
Signal -	1 - (Speakon), - terminal (Phoenix)
HPF frequency, no less than	90 Hz
HPF order, no less than	18 dB/oct
Recommended amplifier power	150 - 300 W on nominal impedance

DIMENSIONS



SAFETY INSTRUCTIONS

1. Do not pour liquids on speaker system - this may cause driver cone destruction and unappealing speaker appearance. Do not allow direct sunlight on speaker cone in order to prevent premature failure. Do not install speaker system near open flames or heating elements.
2. Do not use speaker system with damaged connectors or speaker cable so as not to cause electric shock hazard or fire hazard.
3. Make sure speaker system is firmly set up on the floor, stage, or wall (where applicable).
4. While setting speaker system up onto an angled or slippery surface, make the necessary arrangements to avoid vibration-induced movement.
5. Speaker system is capable of delivering significant sound pressure levels. To avoid permanent or temporary hearing damage, prolonged exposure to sound pressure levels exceeding 90 dB should be limited.

ACCESSORIES



ST6-TA
Table adapter for Sting 6Q



CBM-150
Ceiling adapter for Sting 6Q



ST6-PM
Fixed stand adapter for Sting 6Q



ST6-PM30
Adjustable stand adapter for Sting 6Q