



ONE SYSTEMS[®]
ACOUSTIC EXCELLENCE[®]

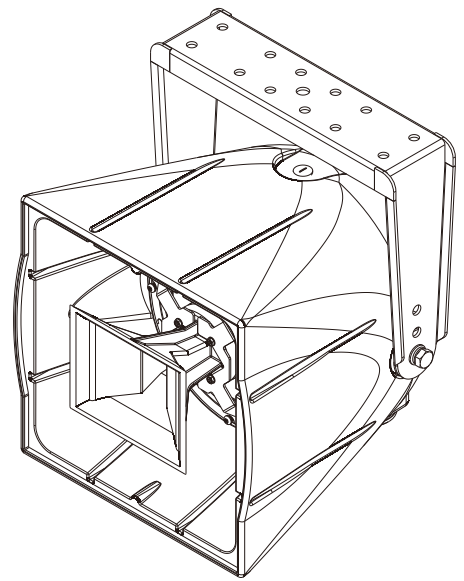
ONE.SP8

OVERVIEW:

The One Systems ONE.SP8 is a weather protected, horn-loaded medium format speaker. Its one-piece rotomolded enclosure is made of moisture, temperature and UV resistant, High-Density Polyethylene (HDPE). The enclosure is ported to aid low frequency extension, and its 8-inch woofer is horn-loaded to achieve higher output than would normally be possible. The enclosure is equipped with 5 x M8 stainless steel rigging points, which can be used in conjunction with the included U-Bracket for mounting to walls or ceilings. A 35 mm / 1-3/8-inch pole socket is also provided for temporary setups. Its grille and U-Bracket are made from CNC punched structural steel and is coated in a two-layer, zinc rich, UV resistant powder coat finish. The system's 8-inch woofer has a specially-treated cone that resists moisture and dry rotting. Its high-energy ferrite magnets ensure high output for maximum coverage. Its medium-format HF driver is equipped with a titanium diaphragm and is coupled to a large-mouthed horn that provides excellent projection with superb pattern control. When pole mounting is required, an optional pole mount kit is also available.

PERFORMANCE:

The ONE.SP8 provides high vocal intelligibility and impressive acoustic output capability from its compact enclosure. Its 1.75-inch compression driver with titanium diaphragm delivers extended response with good transients and permits a lower crossover frequency for a more coherent sound. Its wide dispersion horn provides a big wide sound with good "throw" capability. The woofer's specially treated cone and surround provide superior resonance damping that improves its sound quality. The ONE.SP8 can deliver 119 dB of continuous output using its 150-watt tap at 70.7 /100 volts or 121 dB continuous output with Lo-Z inputs.



FEATURES AND BENEFITS

- High-performance 8-inch two-way horn-loaded speaker with high speech intelligibility and surprising output capability from a compact enclosure
- Can be powered Lo-Z (8 ohms) or Hi-Z (70.7 or 100 volts) with selectable taps at 150, 75 or 37.5 watts
- 200 watts continuous, 800 watts peak power handling
- 90° x 40° horn with medium-format HF driver provides superb pattern control and high intelligibility
- Includes robust U-Bracket made of structural steel with dual-layer, zinc-rich powder coating
- Stainless steel rigging points provide added safety and high corrosion resistance
- IP 55 direct weather rating
- Optional SP.PMK and SP.PMT pole mount kits are available for mounting to round or square poles

ONE.SP8 SPECIFICATIONS

Frequency Response: 105 - 18,000 Hz \pm 3 dB
Frequency Range: 90 - 20,000 Hz -10 dB
Power Handling: 200 watts continuous
 400 watts program
 800 watts peak *

NOTE: All system power handling ratings are amplifier headroom dependent

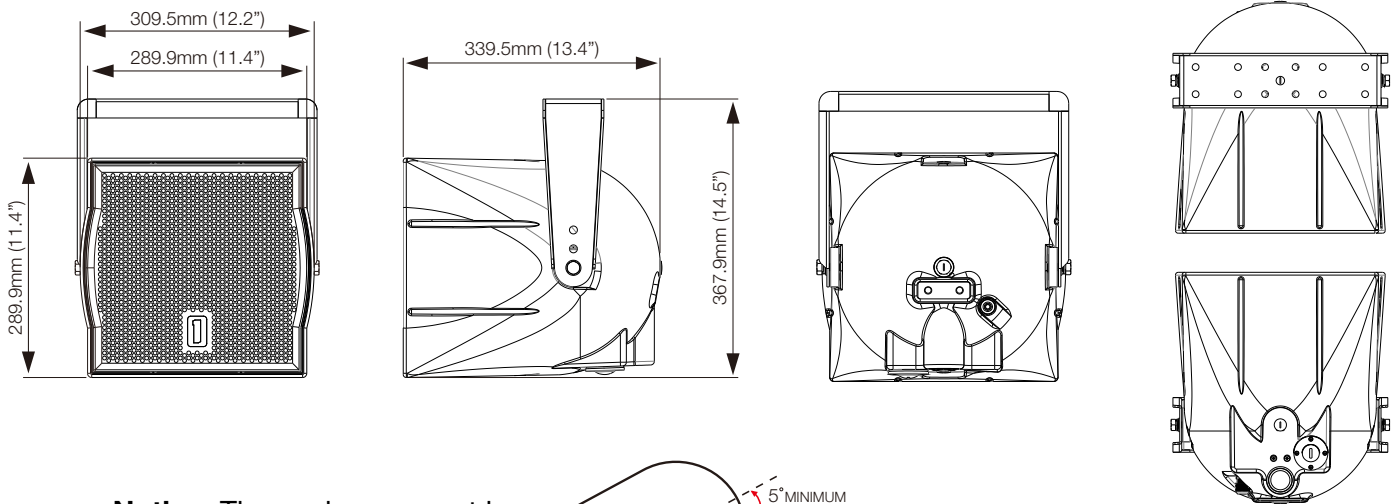
Sensitivity (1 watt @1 meter): 97 dB
Calculated Output Capability: 121 dB continuous
 127 dB peak (Lo-Z)

Coverage (H x V): 90° x 40°
Nominal Impedance: Can be powered as an 8-ohm load or through autoformer taps at 150, 75 and 37.5 watts @ 70.7 or 100 volts

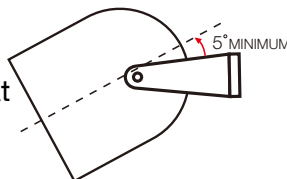
Input Connection: 2 m (6.6 ft) 5-conductor cable
LF Transducer: 8 in / 203.2 mm with 2 in voice coil
HF Transducer: 1.75 in voice coil with titanium diaphragm
Dimensions (H x W x D), mm: 289.9 x 309.5 x 339.5mm
Dimensions (H x W x D), in: 11.4 x 12.2 x 13.4 in
Net Weight: 11 kg / 24.3 lb
Direct Weather Performance: IEC 529 / IP 55
Finish: Gray
Recommended High-Pass: 100 Hz, 24 dB Butterworth
Optional Accessories:
Pole Mount Bracket: SP.PMK
Tilt Pole Mount Bracket: SP.PMT
EASE Data: www.onesystems.com/ease-data

DIRECT-WEATHER FEATURES

- Rotomolded enclosure is made of High-Density Polyethylene (HPDE) resin with steel reinforcements that provides very high UV, moisture and temperature resistance
- All rigging hardware is made of stainless steel for long-term safety and high corrosion resistance
- Three-layer "rain shield" grille and U-Bracket are made of structural steel with a marine-capable powder coating that permits use for inland outdoor applications more than 16 km / 10 miles from oceans or salt air
- The system is rated IEC 60529 Standard / IP 55 (dust protection is provided that prevents interference with normal operation; penetration against water jets from any direction).
- Input weather cover with IP 68-rated gland nut prevents moisture intrusion
- Advanced transducer's silicon-impregnated cone and surround are designed and built to handle moisture and



Notice: The enclosure must be installed with its logo positioned at bottom with a minimum down-tilt of 5-degrees

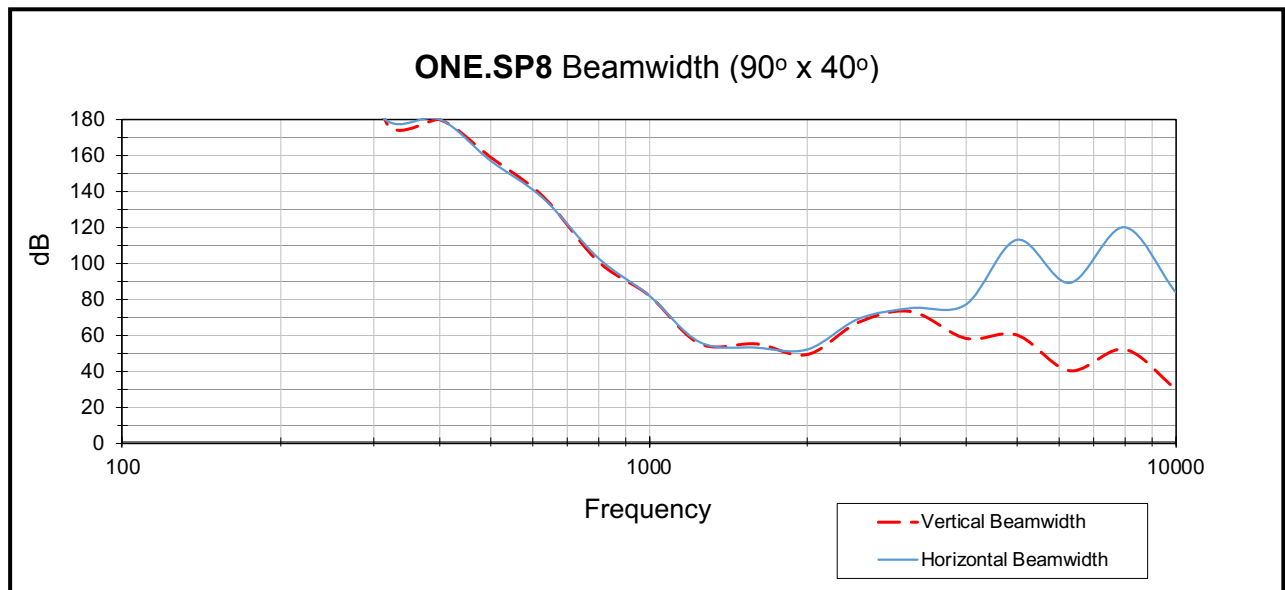
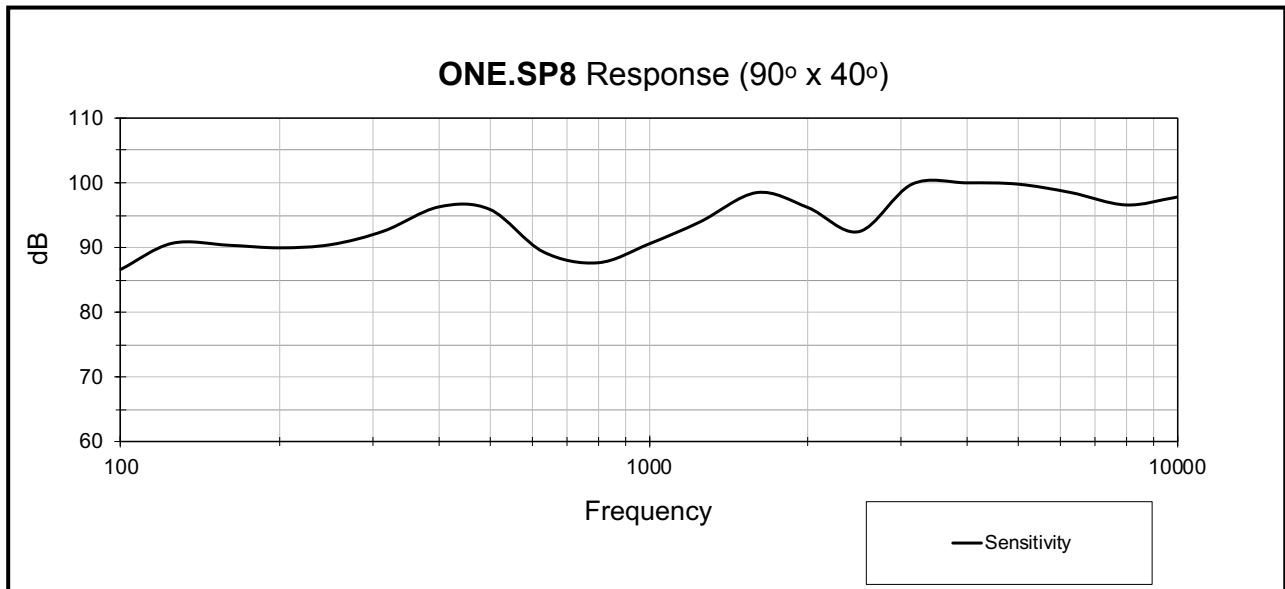


One Systems, Inc.

www.onesystems.com

tel: +1-615-823-1655

fax: +1-615-261-1429



NOTE: These measurements were created using EASE software, which limits the bandwidth to 100 - 10,000 Hz that is critical for full-range loudspeakers. No processing was used.



ONE SYSTEMS[®]

ACOUSTIC EXCELLENCE[®]

One Systems, Inc.

www.onesystems.com

tel: +1-615-823-1655

fax: +1-615-261-1429