



ONE SYSTEMS[®]
ACOUSTIC EXCELLENCE[®]

SP.PMT

The One Systems[®] SP.PMT is a deluxe pole mount bracket with tilt capability designed for use with One Systems models ONE.SP6, ONE.SP8, ONE.SP12D and ONE.SP12T loudspeakers.

The SP.PMT is made of structural steel with a dual-layer, zinc-rich powder coating that will provide long useful life and safety. The SP.PMT and its associated speakers should only be used for outdoor installations for inland, non-coastal environments (more than 10 miles / 16 km from oceans).

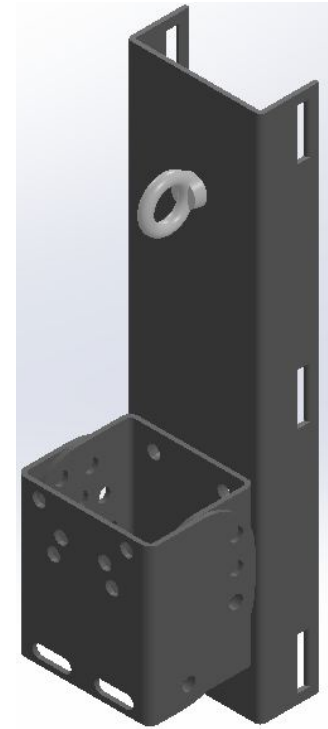
The SP.PMT may be used on round or square poles. For square / rectangular poles, the minimum flat dimension must be 3.75 inches (95.25 mm) at the speaker's mounting height and for round poles, the minimum diameter is 4 inches (101.6 mm) at the speaker's mounting height. One Systems cannot imply the suitability of specific diameters or poles. The suitability of each pole must be verified by the pole manufacturer or a structural engineer.

The SP.PMT provides a "tilt" angle range from vertical (0 degrees) to a maximum down tilt of 35 degrees. The tilt angle is adjustable in 13.3-degree increments.

To attach the bracket and speaker assembly to the mounting pole, One Systems recommends Band-It[®] stainless steel banding and buckles (not sold by or available through One Systems).

There are three slots in the sides of the SP.PMT bracket. It is recommended that two single-wraps per slot are used to secure the bracket to the mounting pole.

The U-Bracket shipped with each ONE.SP model is used to attach each speaker to the SP.PMT bracket.



FEATURES & BENEFITS

- Safe, flexible pole mount bracket with tilt capability for attaching ONE.SP speaker models to poles
- The SP.PMT provides the flexibility of tilt adjustment from 0 degrees (vertical) to a maximum of 35 degrees down tilt in 13.3 degree increments for precise aiming of the attached loudspeaker
- All stainless steel screws and washers necessary are included with each ONE.SP speaker model



ONE SYSTEMS[®]
ACOUSTIC EXCELLENCE[®]

SP.PMT

WARNING: Do not attempt to mount multiple brackets side-by-side using the same banding system. The banding systems are designed for use with one bracket **only!**

The required materials are BAND-IT # C206R9 stainless steel bands; BAND-IT # C25699 buckles; BAND-IT # C00169 tensioning tool. The stainless steel banding is Type 201SS 0.030 inches (0.762 mm) thick and 0.750 inches (19 mm). These parts are available from:

BAND-IT IDEX, Inc. 4799 Dahlia Street, Denver, Colorado 80216 USA. 1-800-525-0758.

FELIX PONCE Calle Ignacio Zaragonza No.8 Colonia Aheuhuetes Atizapan 52953 Edo. de Mexico. (52) 555825 8502.

BAND-IT Company Speedwell Industrial Estate Stavely, Nr. Chesterfield Derbyshire, S42 3 PF England. Home Sales (44) 1246-479479. Export Sales (44) 1246 479480.

BAND-IT Shanghai Sales Office 207 Room Wanbao International Business Center #660 Xinhua Road Shanghai, China 200052. 021-62826348-308.

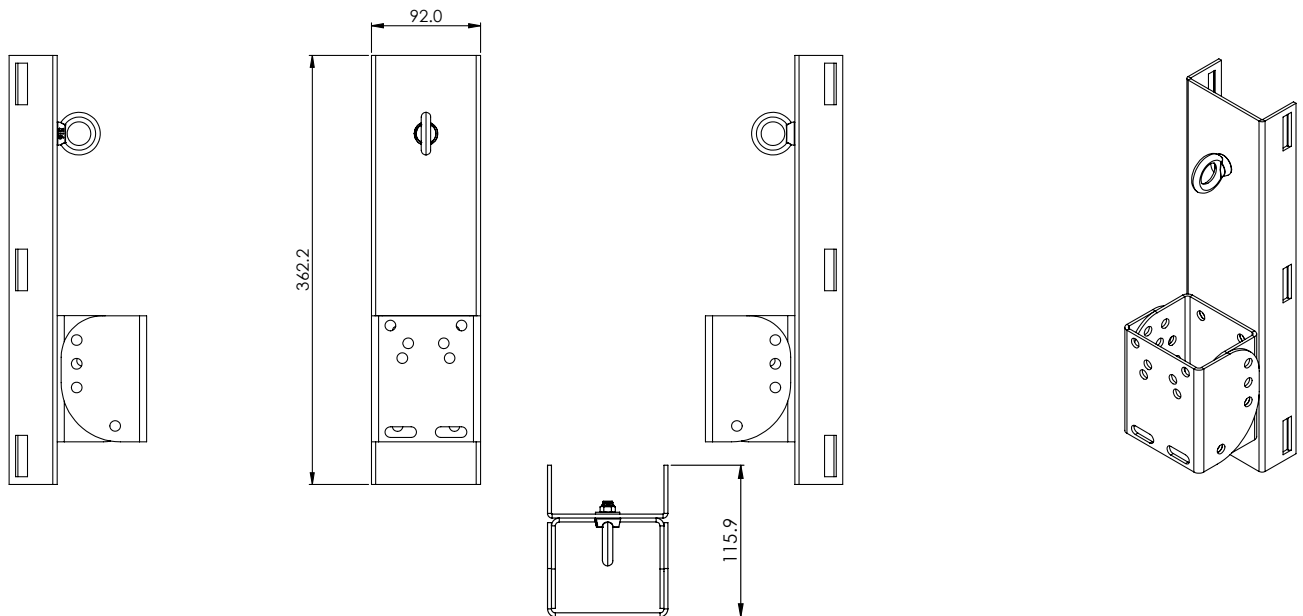


Figure 2

One Systems, Inc.

www.onesystems.com

tel: +1-615-823-1655

fax: +1-615-261-1429

Installation of the SP.PMT should only be attempted by experienced professionals that are familiar with local and national codes and safe suspension practices. One Systems also requires that the document “Rigging and Suspension of One Systems Products” be read and completely understood.

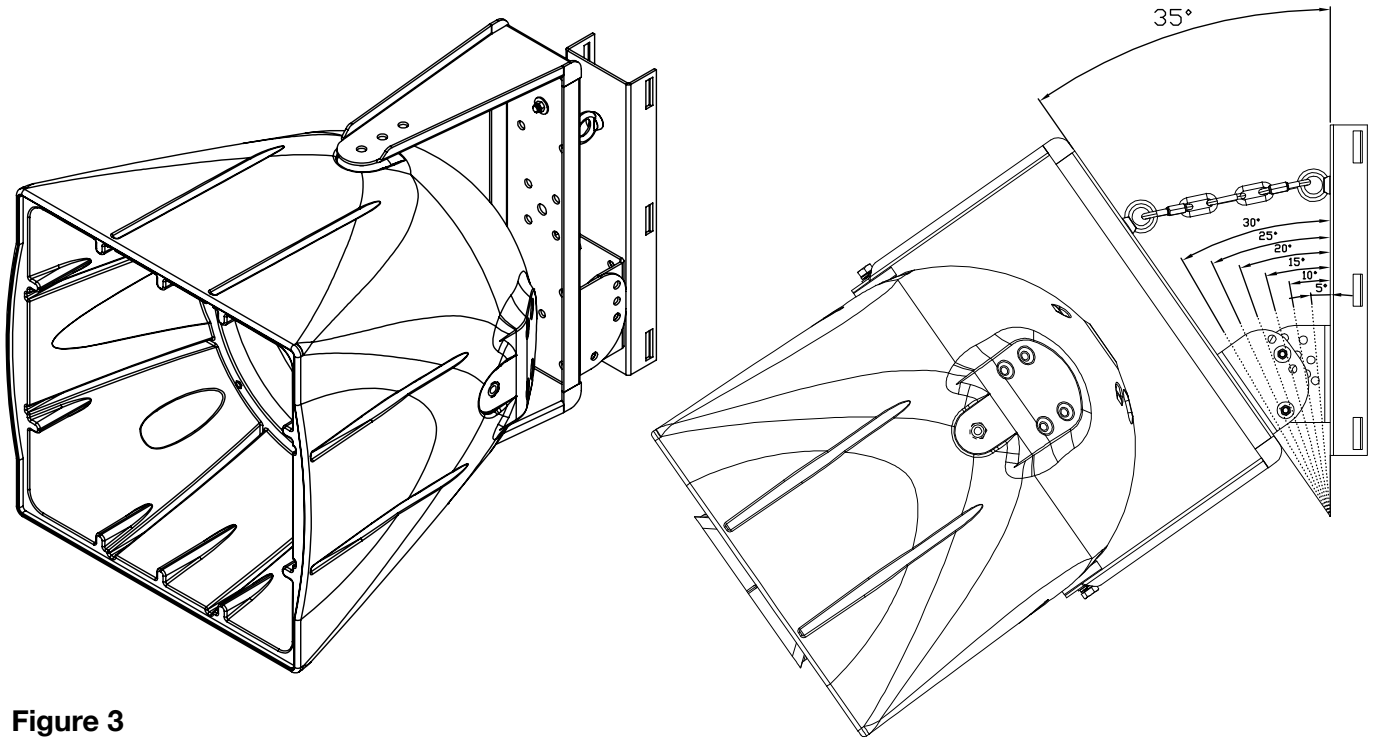


Figure 3

Figure 3 shows the complete assembly of the SP.PMT bracket kit, the ONE.SP12D speaker and its U-Bracket. The slots in the body of the bracket are used for the routing of the Band-It stainless steel banding. The SP.PMT provides up to 35 degrees of downward tilt adjustment and it includes a Link assembly to provide additional aiming flexibility.



ONE SYSTEMS[®]
ACOUSTIC EXCELLENCE[®]

One Systems, Inc.

www.onesystems.com

tel: +1-615-823-1655

fax: +1-615-261-1429

Figure 4

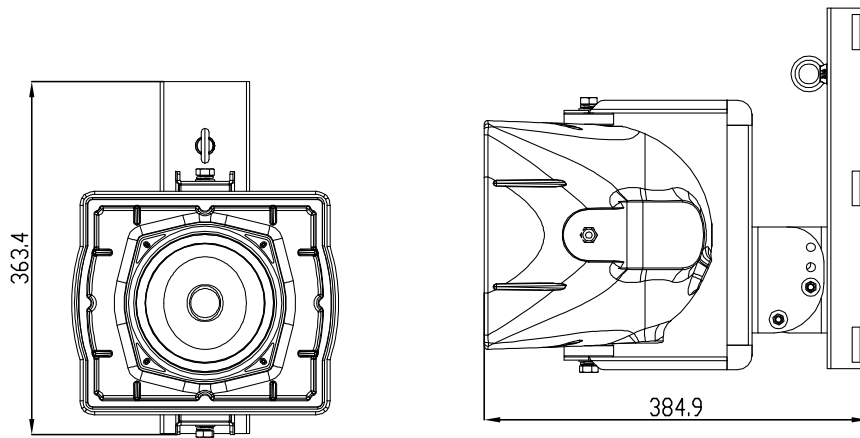


Figure 4 shows the dimensions of ONE.SP6 attached to the SP.PMT bracket. The width of the ONE.SP6 at its front baffle is 274.7 mm

Figure 5

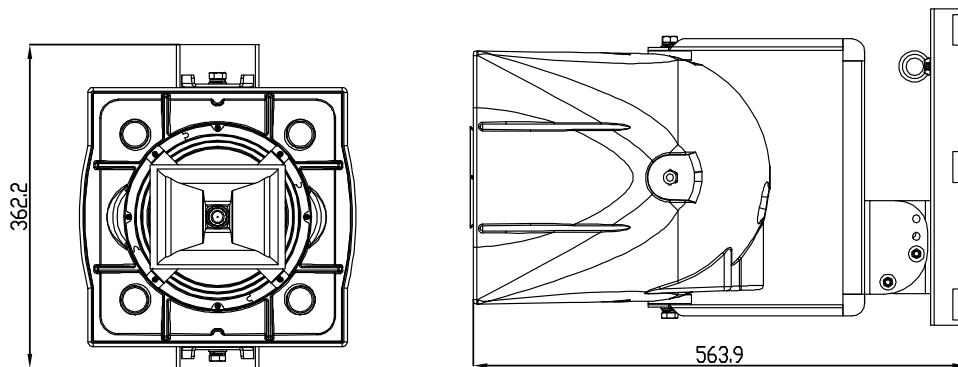


Figure 5 shows the dimensions of ONE.SP8 attached to the SP.PMT bracket. The width of the ONE.SP8 at its front baffle is 309.5 mm

Figure 6

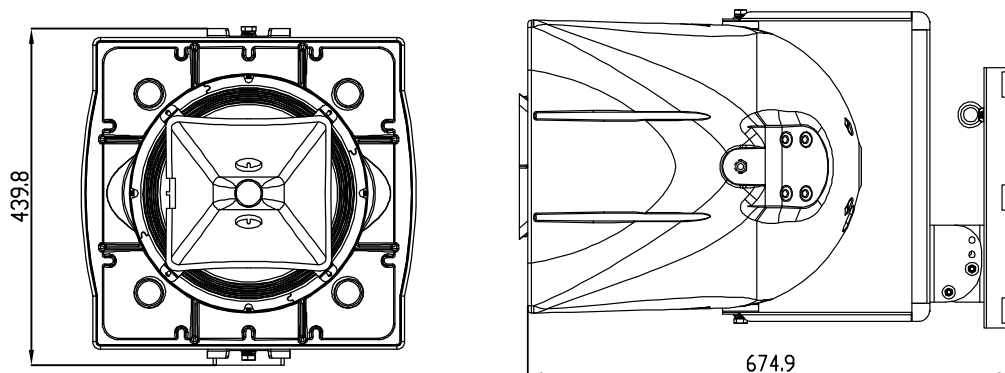


Figure 6 shows the dimensions of ONE.SP12 models attached to the SP.PMT bracket. The width of the ONE.SP models at its front baffle is 473.1 mm



ONE SYSTEMS[®]
ACOUSTIC EXCELLENCE[®]